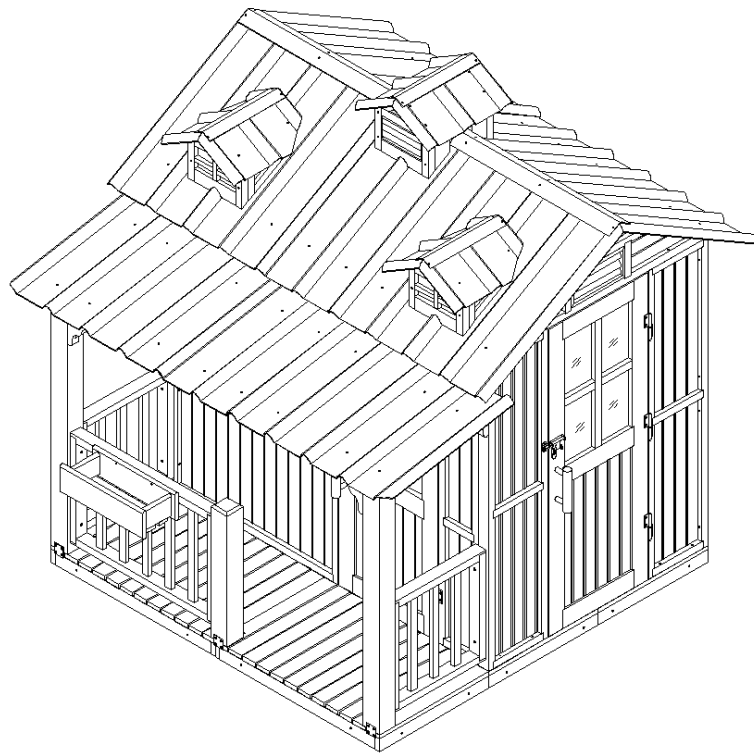
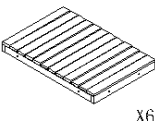
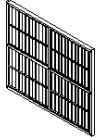

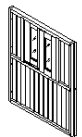





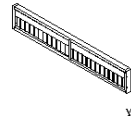
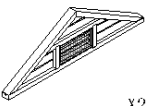
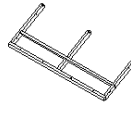



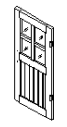





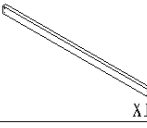







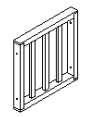
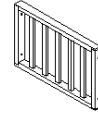
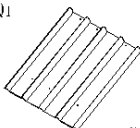
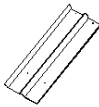
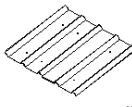


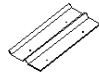
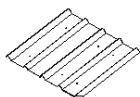

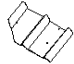








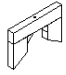

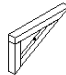
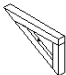

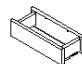



ASSEMBLY INSTRUCTION FOR KID'S BUILDING

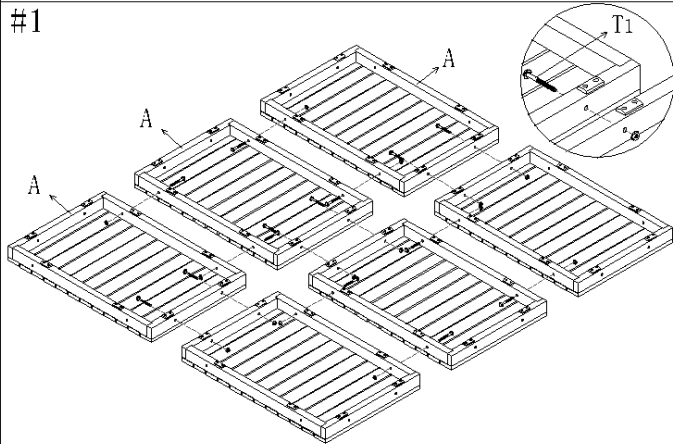


ASSEMBLY INSTRUCTION FOR KID'S BUILDING

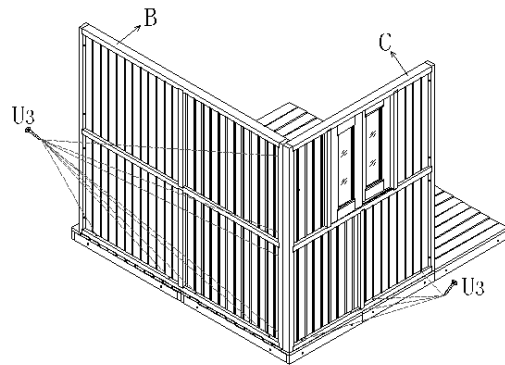
A1  X6	B  X1	C  X1	D  X1	E  X1	F1  X1	F2  X1	T1  X11	T2  X2	
G  X1	H  X2	I1  X2	I2  X1	I3  X3	J1  X1	J2  X1	T3  X1	T4  X3	
K  X2	L1  X1	L2  X1	M  X1	N1  X2	N2  X1	O1  X2	U1  2 $\varnothing 5 \times 90 \text{mm}$	U2  20 $\varnothing 5 \times 75 \text{mm}$	
O2  X2	O3  X2	P1  X2	P2  X1	Q1  X1	Q2  X2	Q3  X1	U3  111 $\varnothing 5 \times 55 \text{mm}$	U4  29 $\varnothing 1 \times 30 \text{mm}$	
Q4  X1	Q5  X1	Q6  X2	Q7  X1	Q8  X1	R1  X2	R2  X1	U5  96 $\varnothing 1 \times 20 \text{mm}$	V  SHIM X10	
R3  X1	R1  X2	S1  X2	S2  X2	S3  X2	S1  X2	S5  X2	S6  X2	S7  X1	S8  X6

ASSEMBLY INSTRUCTION FOR KID'S BUILDING

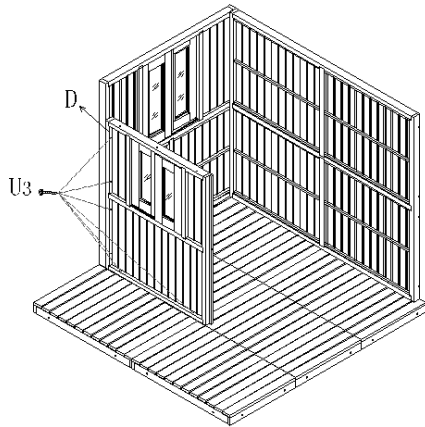
#1



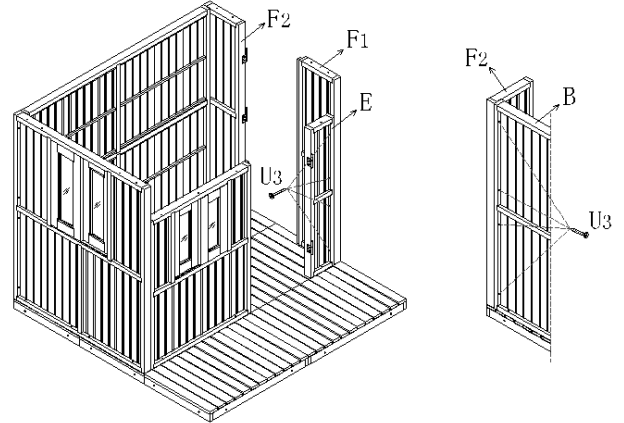
#2



#3

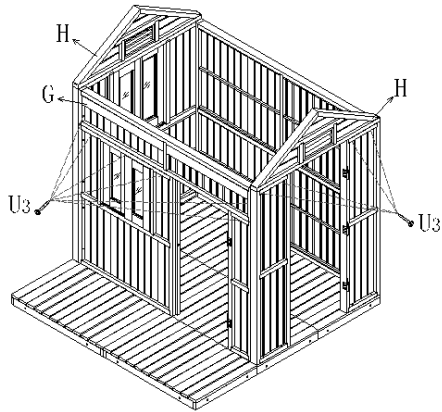


#4

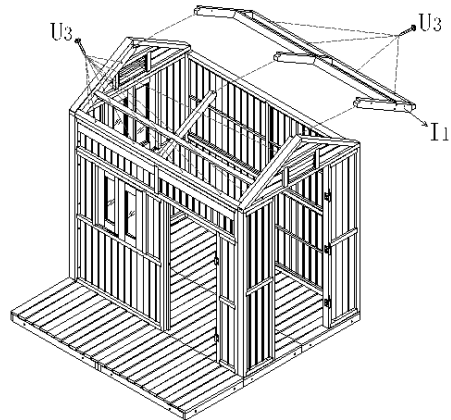


ASSEMBLY INSTRUCTION FOR KID'S BUILDING

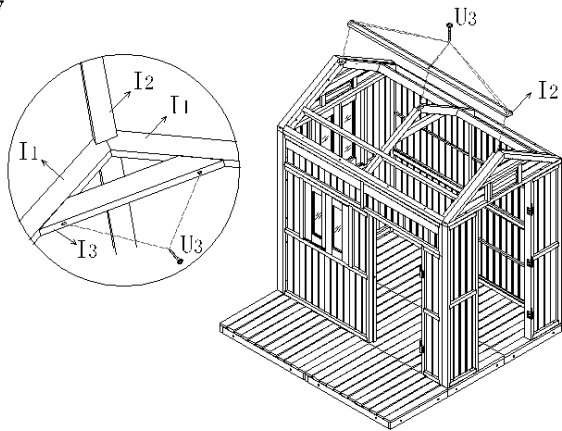
#5



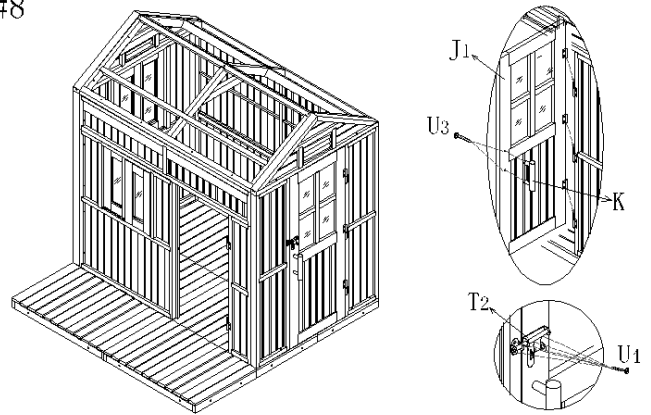
#6



#7

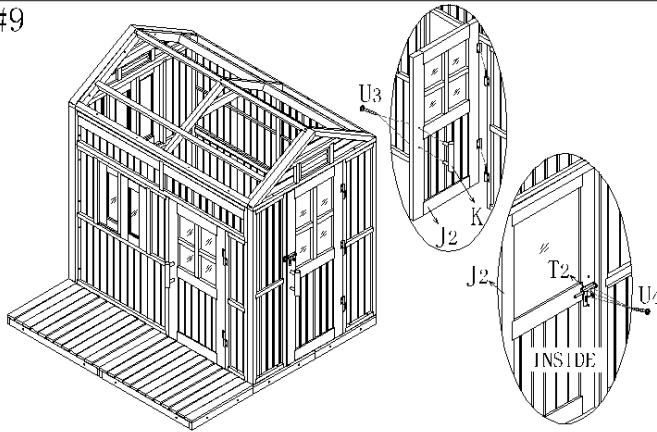


#8

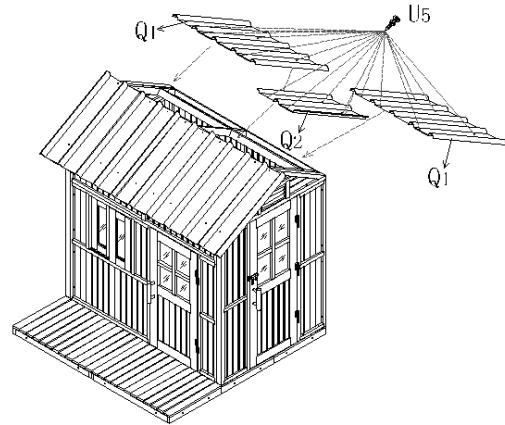


ASSEMBLY INSTRUCTION FOR KID'S BUILDING

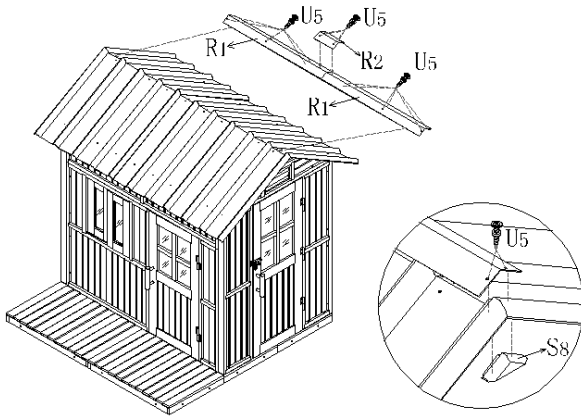
#9



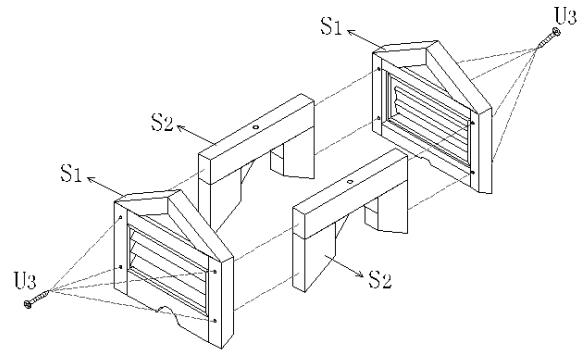
#10



#11

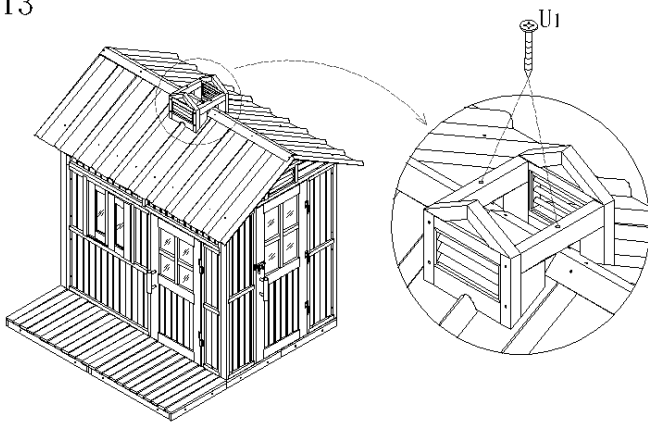


#12

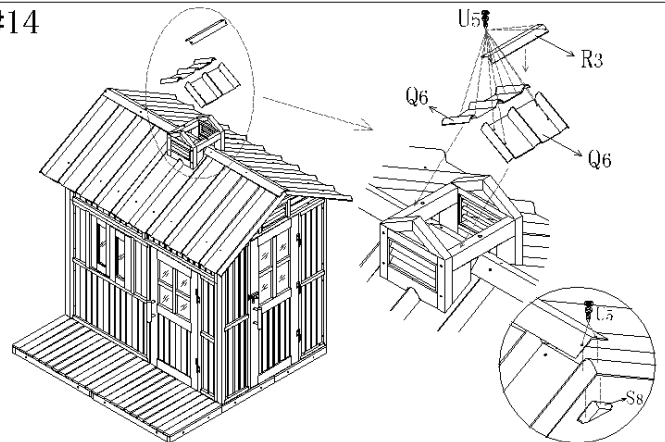


ASSEMBLY INSTRUCTION FOR KID'S BUILDING

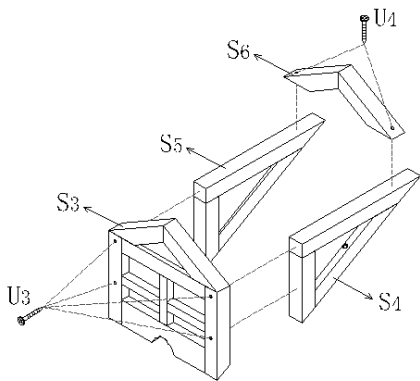
#13



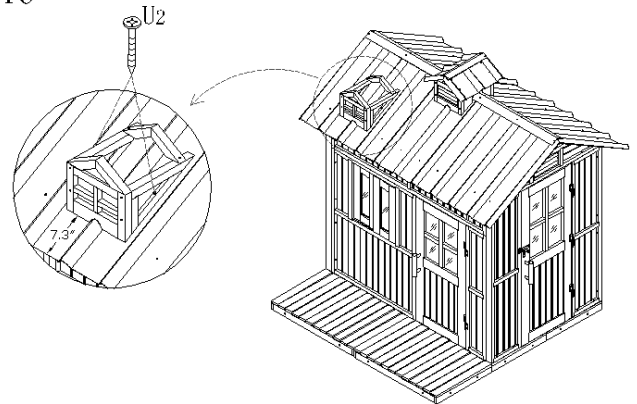
#14



#15

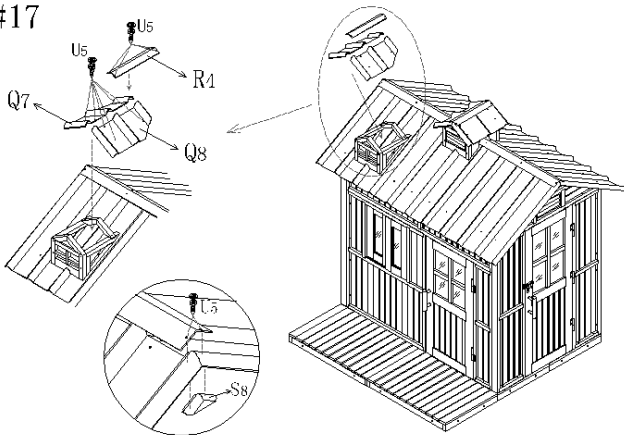


#16

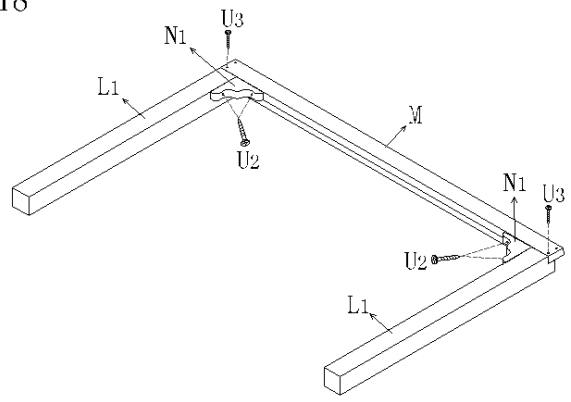


ASSEMBLY INSTRUCTION FOR KID'S BUILDING

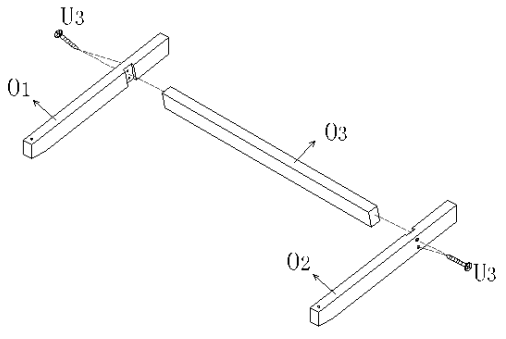
#17



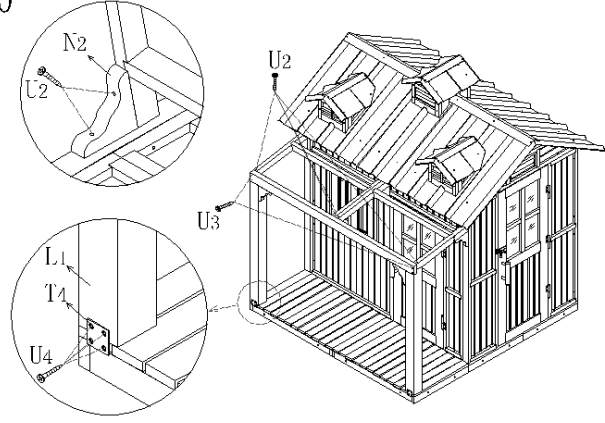
#18



#19

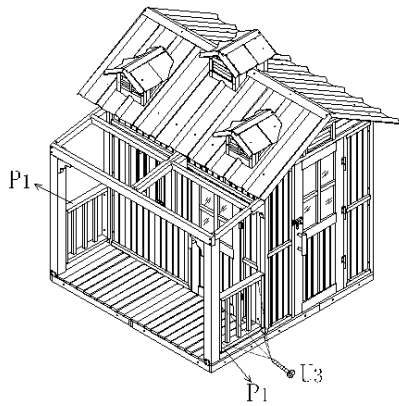


#20

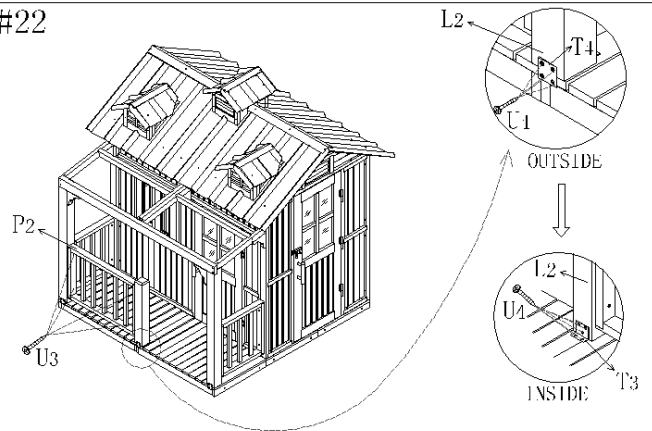


ASSEMBLY INSTRUCTION FOR KID'S BUILDING

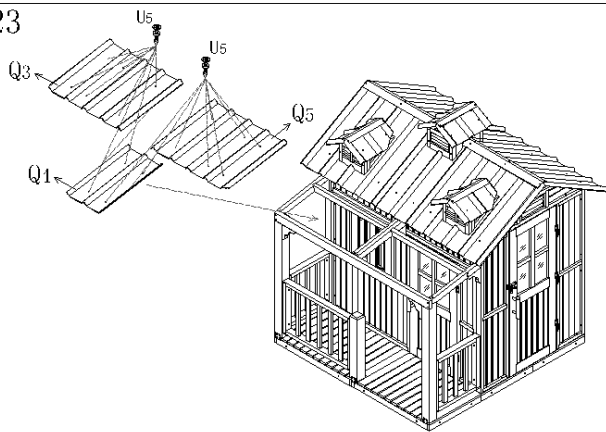
#21



#22



#23



#24

