

## Horizontal Ladder Model #: 5019-PP

### **PART LISTS**

<b>DESCRIPTION</b>	<b>No. REQ'D</b>	<b>PART NUMBER</b>
Upper Horizontal Ladder Frame	1	303963
End Horizontal Ladder Frame	2	303966
<b>Hardware Complete</b>	1	303967
Kee Clamp	4	137352

*Unless Otherwise Specified, All Units of Measure are Each  
\* Included in Hardware*

**Warning: Small parts and hardware items may present a potential choking hazard. Promptly remove all unused parts from play area.**

### **SPECIFICATIONS:**

Horizontal Ladder Frame and End Frame are fabricated from 2-3/8" O.D. 10-gauge galvanized steel tubing for beams and posts and 1-5/16" O.D. 14-gauge galvanized steel tubing for rungs. Elbows are iron cast and powder-coated after fabrication.

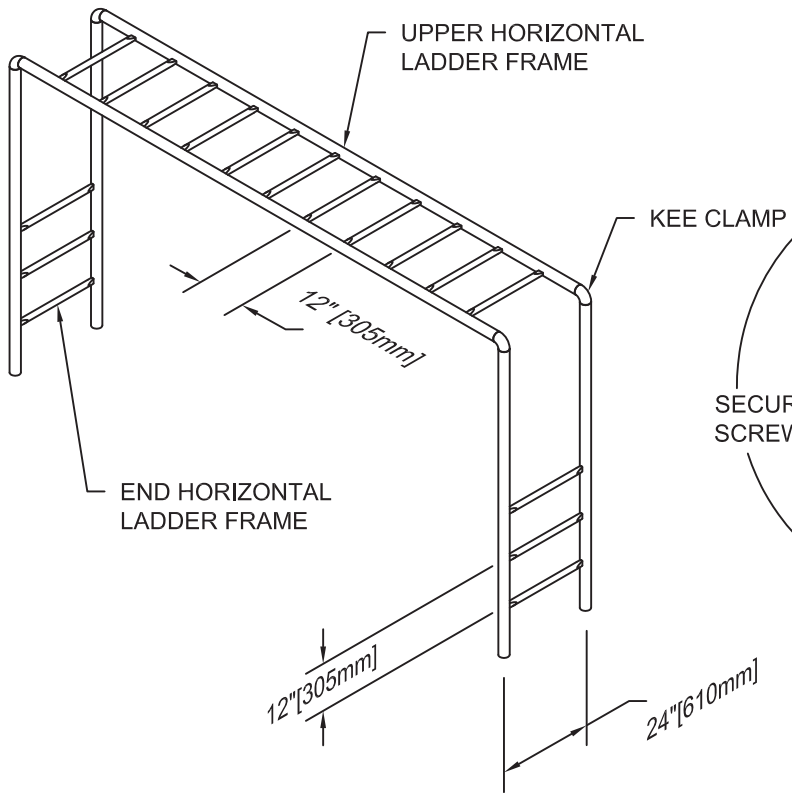
### **INSTALLATION INSTRUCTIONS:**

1. Dig footing holes at locations and depths indicated on diagrams.
2. Attach Upper-Horizontal Frame to End Horizontal Frames using Iron Cast Elbow. Tighten set screws provided in Elbow. Set assembly frame in holes dug and brace in position at the proper height as shown in assembly drawing. Check for plumbness and level.
3. Pour concrete footing within 4" to the top and taper away from support post to allow water drainage. Allow to cure at least 48 hours before use.
4. Install resilient surfacing material within the use zone of play structure in accordance with ASTM specifications F1292 appropriate for the fall height of each structure. Refer to the Safety Guidelines.

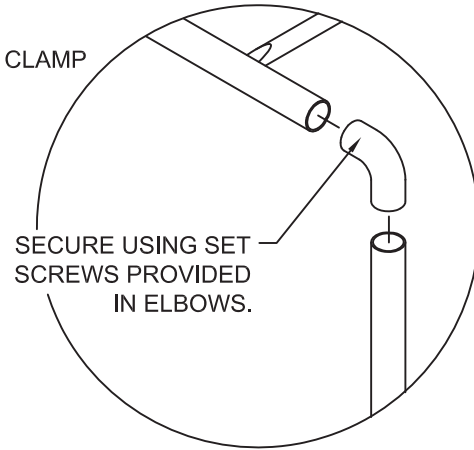
### **MAINTENANCE PROCEDURE:**

Periodically check hardware for tightness, and tighten as necessary. Always check all parts for breakage or wear, and immediately put equipment out of service until any faulty parts found are repaired or replaced. Also Check all metal parts for rust, paint loss and touch-up if necessary with paint. Check welded areas and verify integrity. Check periodically resilient surfacing for appropriate depth and remove extraneous materials that could cause injury, infection, or disease. Maintain detailed installation, inspection, maintenance, and repair records for each public-use playground equipment.

**ISOMETRIC**



**TYPICAL ELBOW FITTING**



**ELEVATION VIEW**

