

gorilla

playsets



Play-Zee-Bo ASSEMBLY MANUAL

Copyright © 2009 Gorilla Playsets
All Rights Reserved

Gorilla Playsets • 190 Etowah Industrial Court • Canton, GA 30114 • (800) 882-0272

23/JUL/2009 – Version 1.0.1



STOP...PLEASE READ!!

**IF YOU HAVE MISSING OR DAMAGED PARTS OR
NEED ASSISTANCE ASSEMBLING, PLEASE
CALL **gorilla playsets™** MANUFACTURING
DIRECT.**

(800) 882-0272

FACTORY HOURS – MON.–FRI., 8AM-5PM EST

DO NOT RETURN THIS PRODUCT TO THE RETAILER OR CONTACT THE
RETAILER DIRECT. THE RETAILER DOES NOT STOCK COMPONENTS.

PLEASE RETAIN THESE INSTRUCTIONS FOR FUTURE REFERENCE. KEEP THEM IN A
SAFE PLACE WHERE YOU CAN REFER TO THEM AS NEEDED.

CONTACT INFO:

Gorilla Playsets
190 Etowah Industrial Court
Canton, GA 30114
Tel. (678) 880-3328
Fax. (678) 880-3329
custsrv@gorillaplaysets.com

**PLEASE READ OWNER'S MANUAL CAREFULLY BEFORE
STARTING ASSEMBLY!**

Play-Zee-Bo (Sandbox) Instructions

-BEFORE YOU BEGIN-

First...

Read instructions thoroughly before you begin.

Check All Parts

If a part is missing, circle the part in questions and call 1-800-882-0272.

Important

In a drawing, a dotted line represents a part hidden from view (like a part under a panel).
Level site and use a heavy plastic (vapor barrier) under the sand box.

Assistance required

Assistance is necessary to handle, fit, and secure some components.

Always wear OSHA-APPROVED safety glasses throughout assembly process.

Tools required

*** Phillips Screwdriver

*** Tape Measure

Optional Tools

*** Electric Drill W/ #2 Phillips Tip

Play Sand

*** 10 50lb Bags

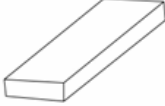


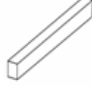




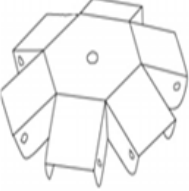
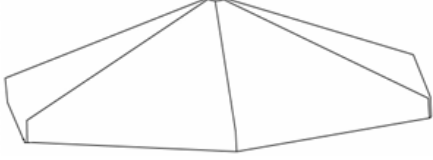
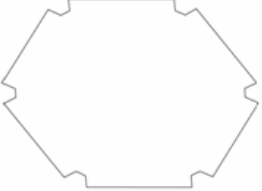
Plastic Film






*** 5' x 5'

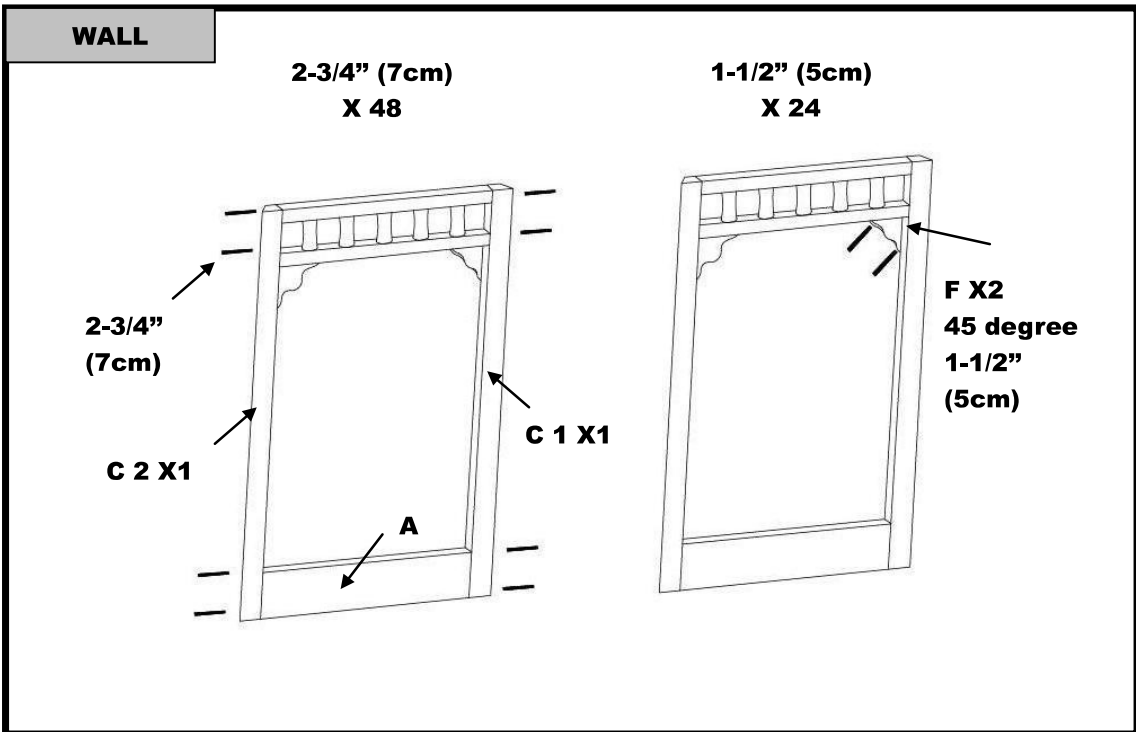
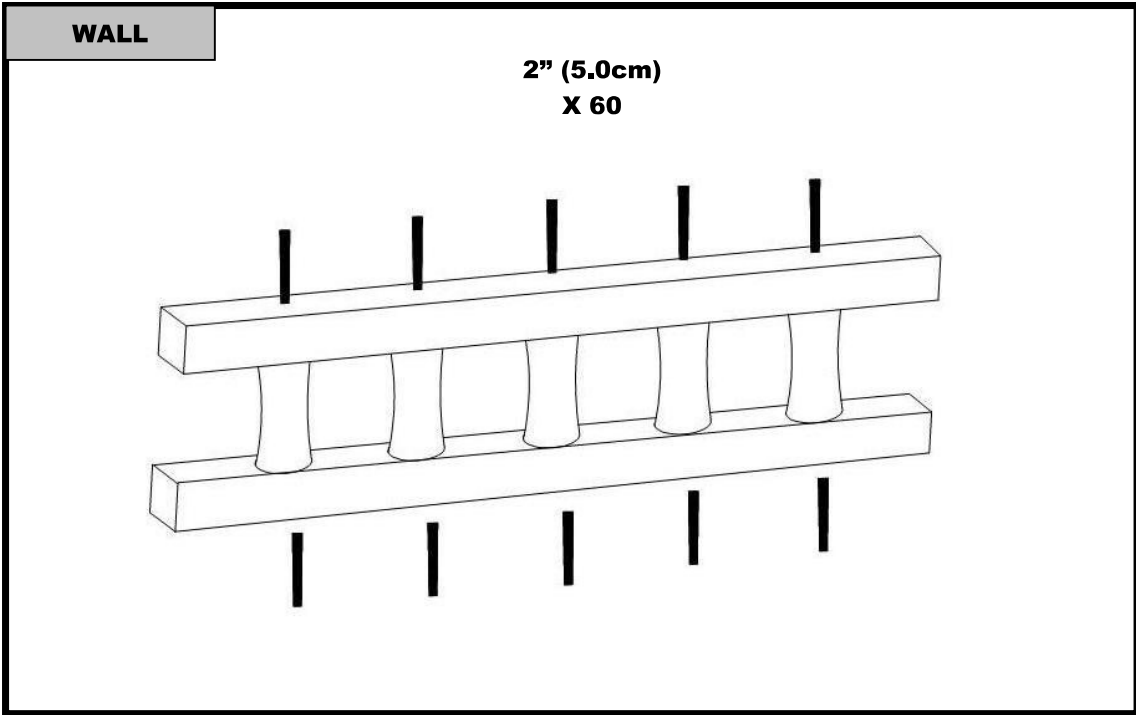
GENERAL WARNINGS

- ◆ To avoid hazardous conditions, make sure top is secured at all times to wooden frame.
- ◆ Seams on covers which become torn should be repaired to eliminate loose strings which may pose a hazard.
- ◆ Do not use covers for anything other than intended purpose.
- ◆ Remove cover completely during use and store away from children.
- ◆ Maintain covers in good condition to avoid hazardous conditions.
- ◆ If sandbox and top cover become damaged, repair immediately.
- ◆ Keep sandbox covered when not in use to avoid contamination due to animals.
- ◆ Inspect your Play-Zee-Bo regularly. Parts which become loose or worn should be tightened or replaced to prevent possible safety hazards.
- ◆ Tighten all screws and fasteners at the beginning of each season.
- ◆ For safety, inspect your sandbox for wood damage and remove any sharp edges.
- ◆ Keep top finial in place for safety.
- ◆ Covers pose a suffocation hazard. Store in a safe place.
- ◆ Never leave small children unattended.
- ◆ Not recommended for children under 2 years of age.
- ◆ Do not rock or tip sandbox.
- ◆ Cover poses a suffocation hazard if removed.

PART LIST

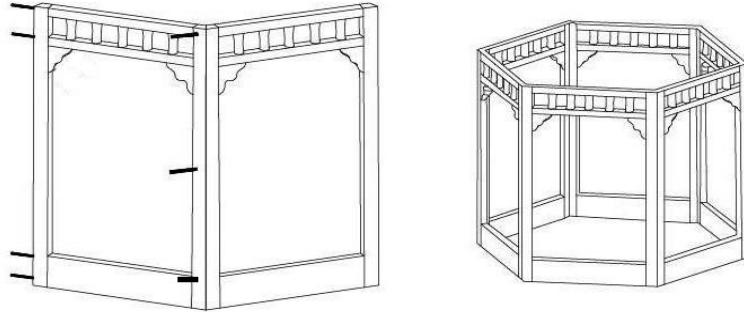
<p>1-1/4"X4-1/2"X25-1/2" (3.2X11.5X65cm)</p>  <p>A X 6</p>	<p>1-1/8"X5-1/2"X30-1/2" (3.0X8.9X77cm)</p>  <p>B X 6</p>	<p>1-1/4"x2-3/8"x1-1/4" x45-1/8" (3.2x6.0x3.2x114.6 cm)</p>  <p>6 pieces at right angle C1 6 pieces at right angle C2</p> <p>C X 12</p>	<p>1-1/4" X1-1/8"X25-1/2" (3.2X 3.0X65 cm)</p>  <p>D X 12</p>	<p>1-1/4" x 4-5/8" x4-5/8" (3.2x11.8x11.8 cm)</p>  <p>F X 12</p>			
<p>1-1/4" X2"X35" (3.2 X5.0X88.9cm)</p>  <p>H X 6</p>		<p>1/2" x3"x28" (1.18x7.6x71.3cm)</p>  <p>J X 6</p>		 <p>K X 1</p>		 <p>L X 1</p>	
 <p>M X 1</p>				 <p>N X 1</p>			

<u>HARDWARE</u>			
Size		Quantity	Spare
1-1/2" (4.0 cm)		84	4
2" (5.0 cm)		96	4
2-3/8" (6.0 cm)		12	4
2-3/4" (7.0 cm)		48	4
1-1/2" (3.8 cm)		6	4



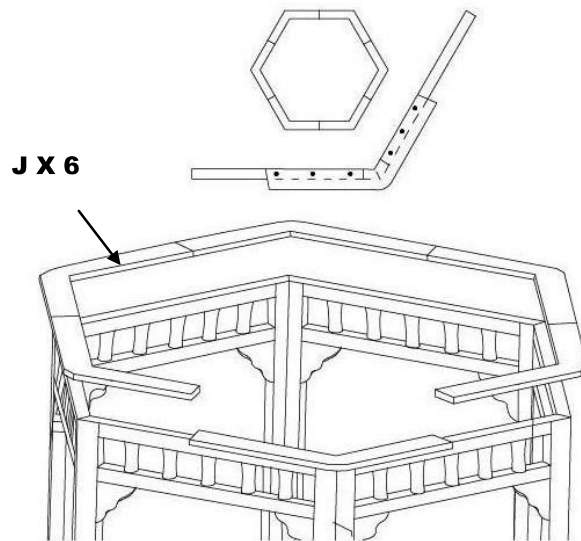
WALL

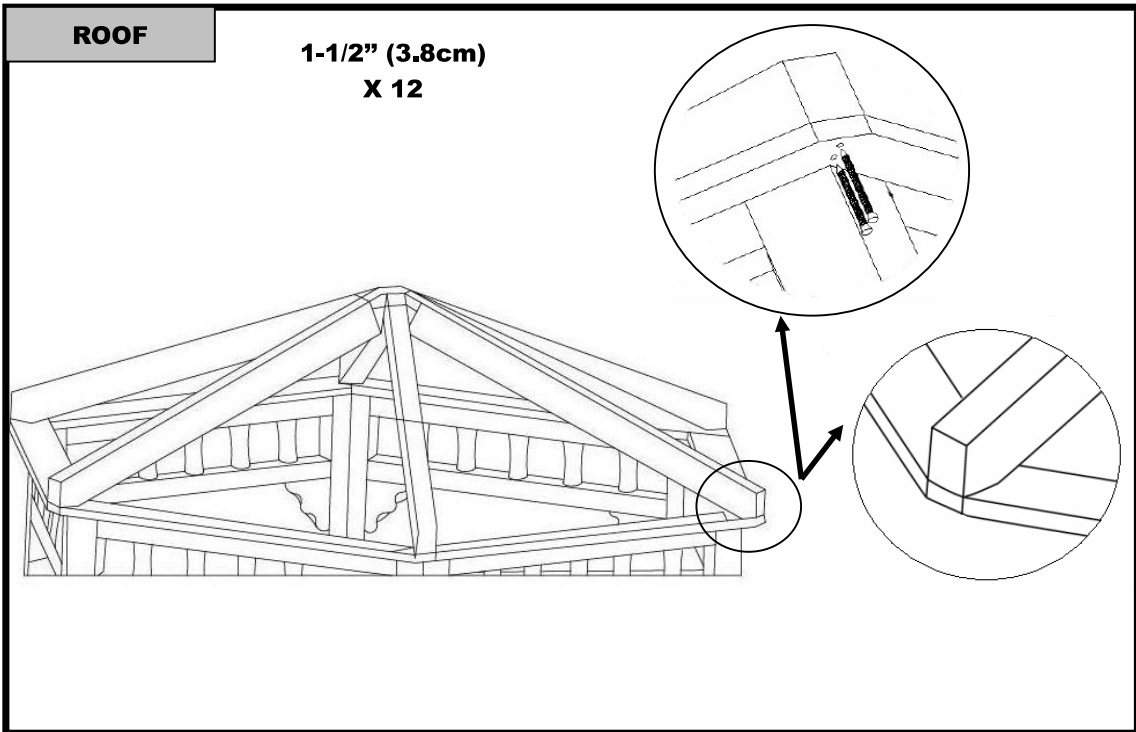
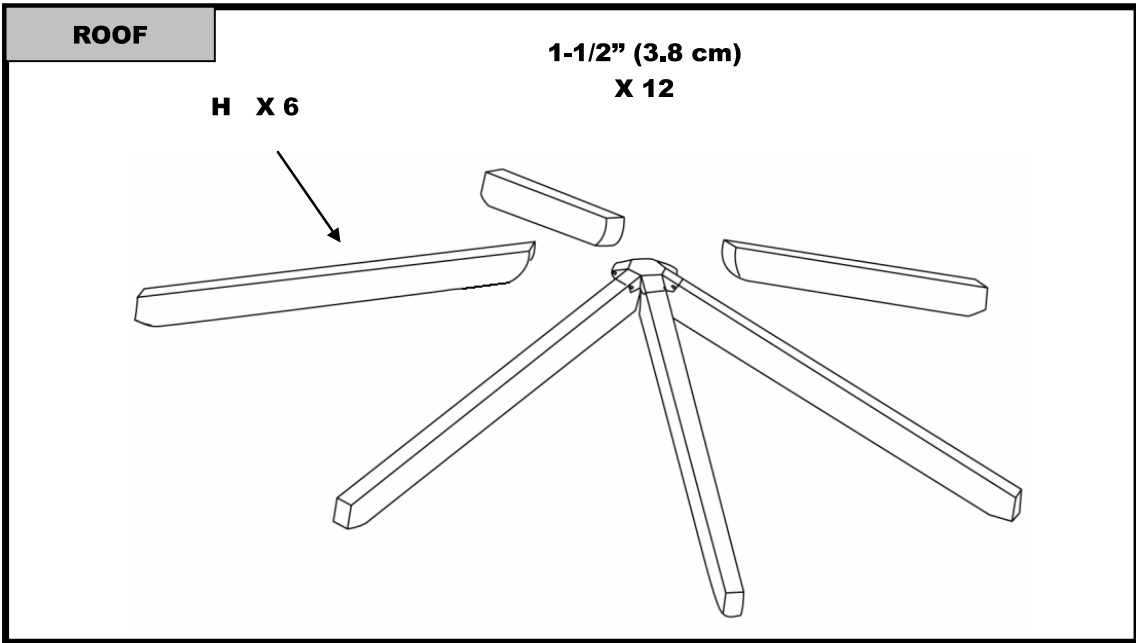
**2" (5.0 cm)
X 18**

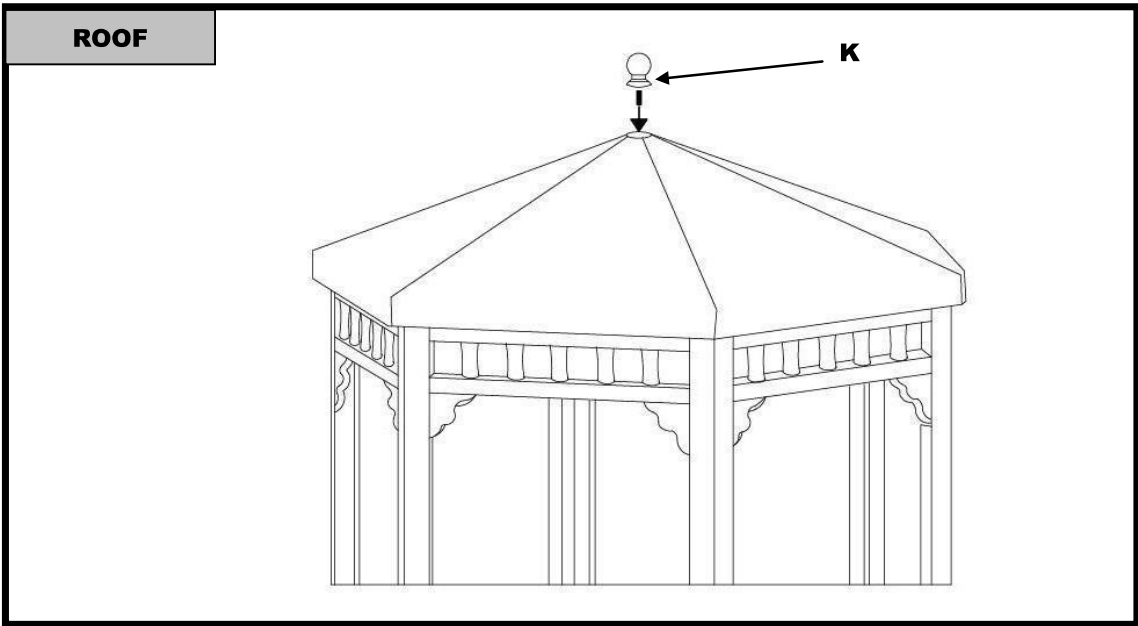
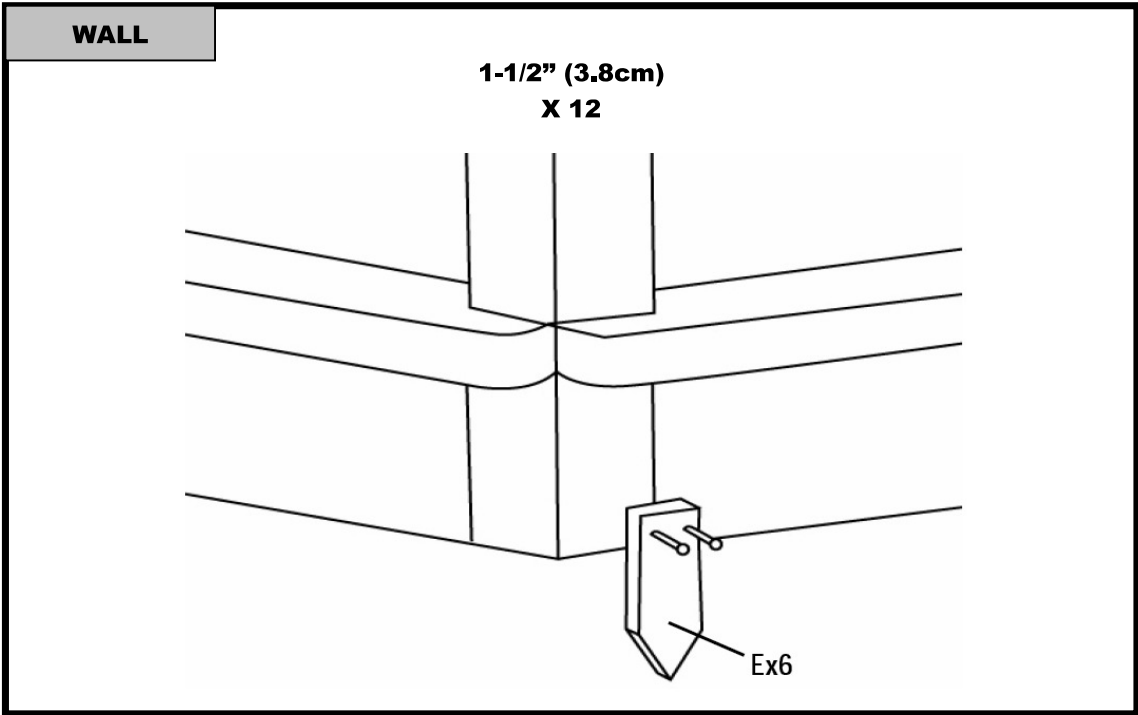


ROOF

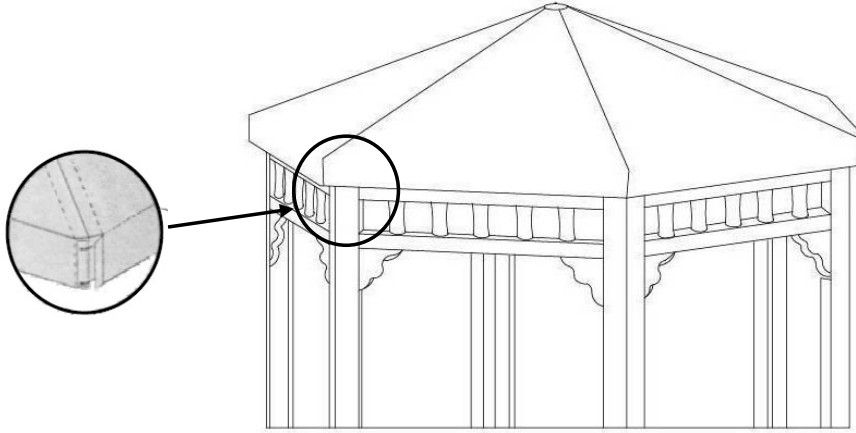
**1-1/2" (3.8cm)
X 36**







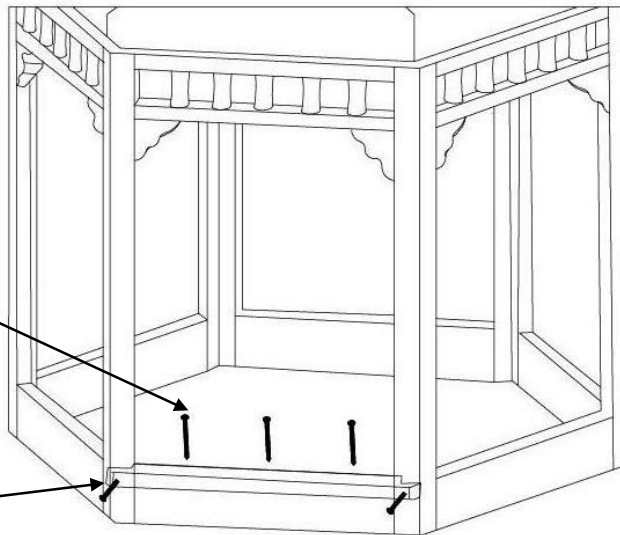
TOP COVER



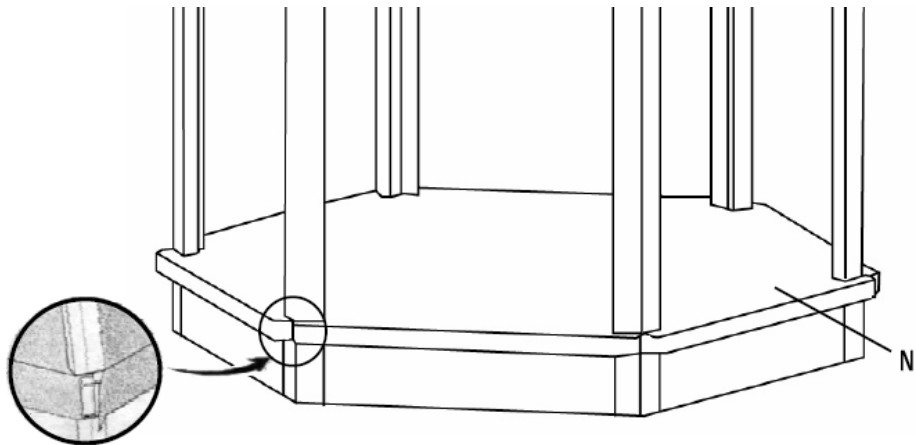
WALL

2-3/4"
7.0cm

2-3/8"
(6.0cm)



SAND BOX COVER



CARE AND MAINTENANCE

Top and sandbox covers may be machine washed. Cleaning is recommended for appearance. Wash-warm, dry-delicate. No special request for detergent. The warning and the color will not fade or wash off.

Always tighten loose screws and connections for safety and durability.

Keep Velcro straps tight and secure to reduce damage to covers.

Ensure Play-Zee-Bo is always level on site.

LIMITED CONDITIONAL WARRANTY***

Warranty

1. Every product is warranted from defects in workmanship and manufacturing for one year.
2. All hardware and metal components are warranted for one year.
3. We will repair or replace the affected part. In no event shall we pay the cost of labor or installation or any other costs related thereto. All warranties are from date of purchase.

Conditions

The warranty is effective only when;

1. The unit has been erected in accordance with the assembly instructions.
2. The unit has been properly shingled and regularly maintain thereafter.
3. The failure occurs when the unit is owned by the original purchaser.