




Parts Identification

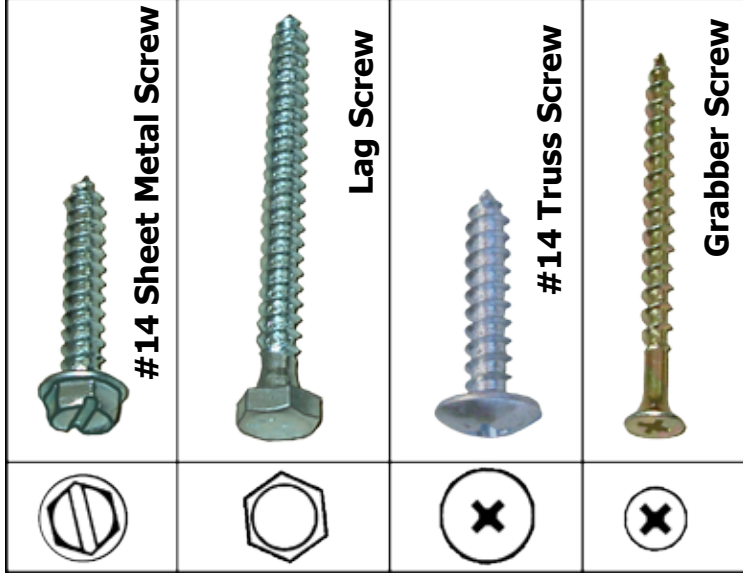
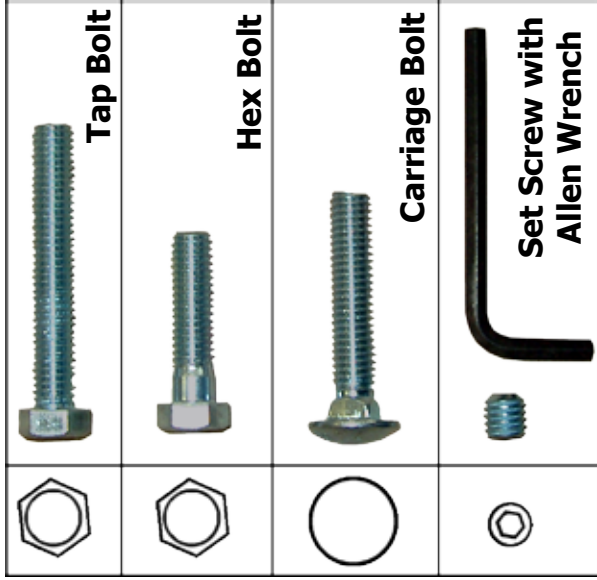
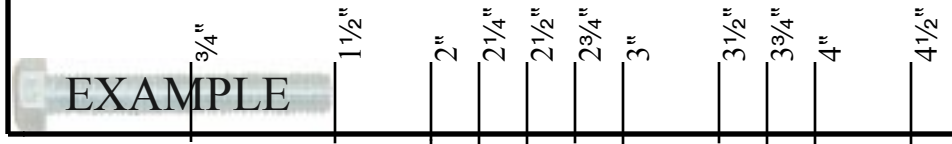
AF30-12 Swing Set

Quantity	Description
1	Box Containing Swing Set Parts
6	$1\frac{7}{8}'' \times 13'$ Leg 
1	$2\frac{3}{8}'' \times 10'$ Toprail 
2	 Commercial Triple End

Swing Set Parts Identification Page

The Small Parts

Bolt Length



Not every model will have every component or swing part. Pictures are not to scale. The purpose of this sheet is to give you a general idea of the shape and names of the parts of your swing set.

Installation Instructions

AF30-12

Required Tools

Wheelbarrow

Shovel

Digging Bar or Pick

Allen Wrench (provided)

Marker Pen

Ladder

Tape Measure

Level

Open end or box wrench's:

5/8", 9/16", 3/4"

Ratchet Handle & Sockets:

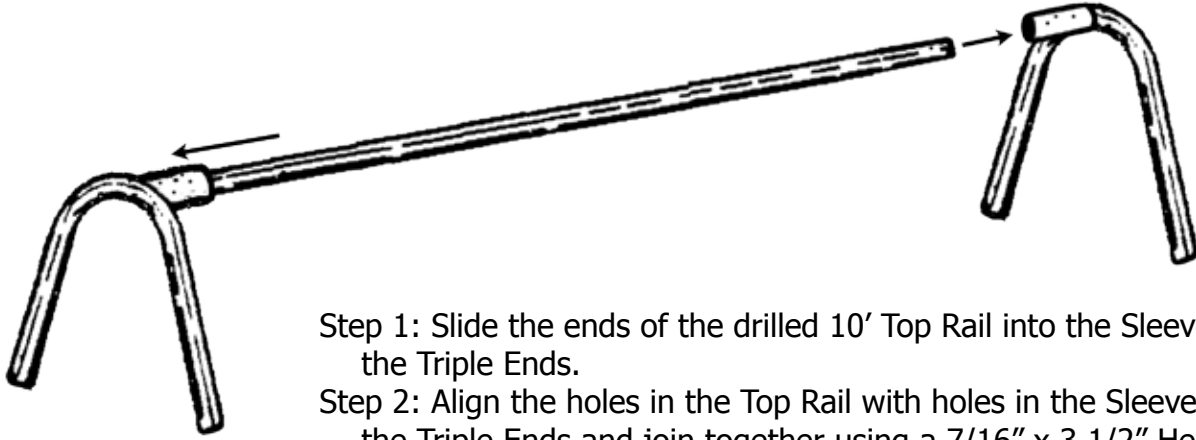
5/8", 9/16", 3/4"

PLEASE READ AND UNDERSTAND ALL INSTRUCTIONS BEFORE BEGINNING

Before digging, Please obey local laws by notifying your local utilities marking organization

1. Select an area that is reasonably level and meets the space requirements for your equipment. Use Zone: 27' X 28'.
2. Assemble the top rail as shown in diagram #1
3. Place the assembled top rail section about twelve feet from the selected area. Mark the swing hanger locations onto the top rail. See top view diagram. Assemble and attach the swing hangers securely to the top rail. See top view diagram.
4. Flip the top rail onto its side (it should be about twelve feet from the area where you want the unit to finally stand.)
5. Beginning with the openings that are on the ground, insert the legs into the triple end. See Diagram #2. Align the holes in the leg and the holes in the triple end and insert the 3/8" x 2 3/4" hex bolt through the triple end and the leg. Attach 3/8" nyloc nut and securely fasten. Insert 3/8" x 3/8" set screw and securely fasten. Repeat this process for the other legs.
6. Lift and stand the swing set into its upright position. Adjust the swing set into the desired location.
7. Mark the hole locations for each of the Legs. Insert each of the two third legs into its socket and attach using the same bolts as with the other legs. See diagram#2
8. Move the legs out of the way and dig the holes approximately 18" in diameter and 12" deep. See diagram #3.
9. Place the structure into the holes previously dug.
10. Measure the distance from the center of the top rail to the ground. This distance should be 12' . Adjust the depth of the holes as necessary to achieve this height.
11. Determine if the structure is level by using the level along the length of the top rail. Remove from, or add soil to the holes as necessary to make the unit level. You can also check the level side to side by holding the level across the bottom of the triple end.
12. Mix the concrete according to package instructions and pour into the hole.
13. Allow the concrete to cure completely before using your swing set (3 to 5 days).
14. Attach the chains and swing seats. Enjoy your Component Playground.

TOP RAIL ASSEMBLY



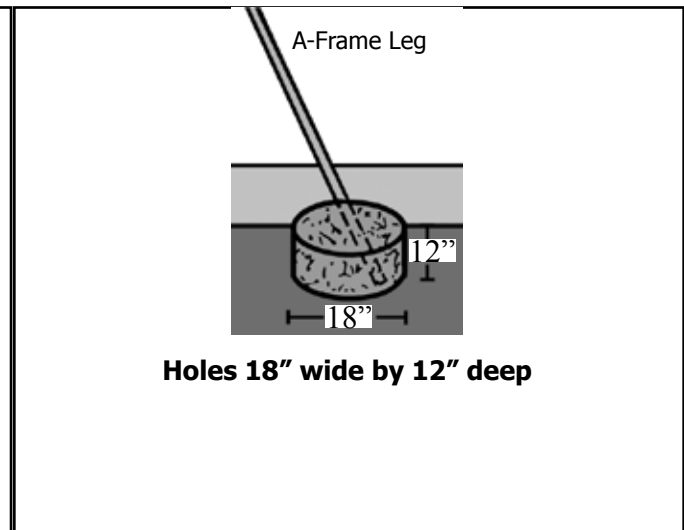
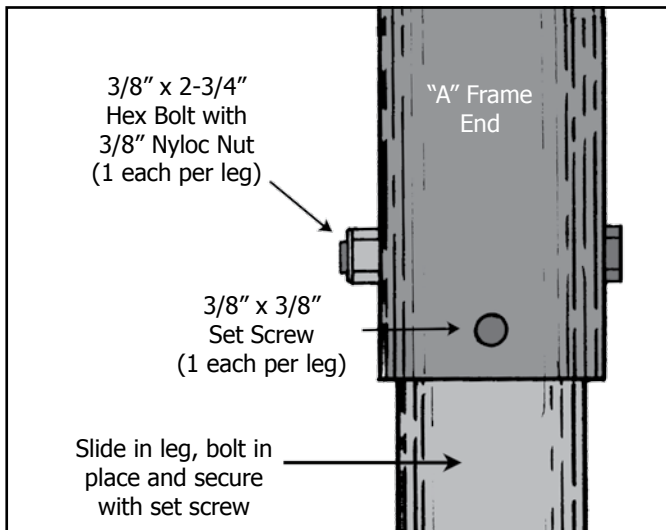
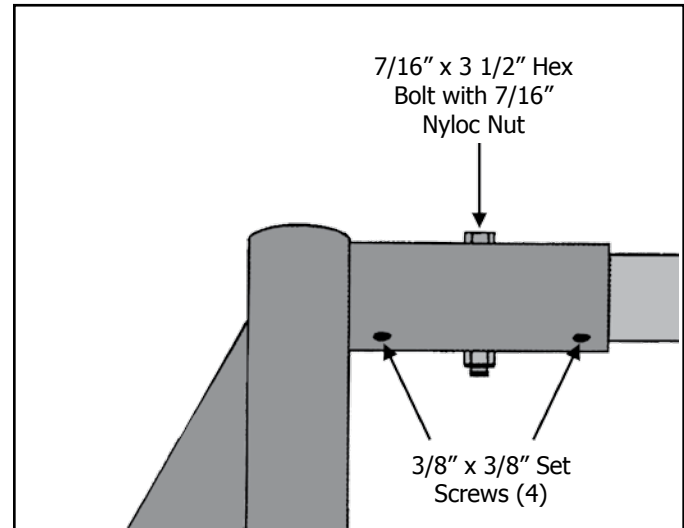
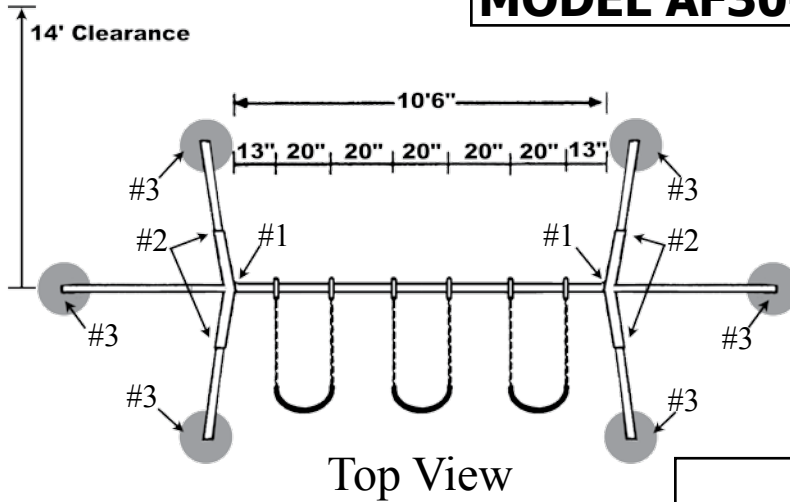
Step 1: Slide the ends of the drilled 10' Top Rail into the Sleeves of the Triple Ends.

Step 2: Align the holes in the Top Rail with holes in the Sleeves of the Triple Ends and join together using a $7/16''$ x $3\ 1/2''$ Hex Bolt and $7/16''$ Nyloc Nut (one set for each end).

Step 3: Insert and tighten (4) $3/8''$ x $3/8''$ set screws into each of the Triple End Sleeves using Allen Wrench provided.

INSTALLATION INSTRUCTIONS

MODEL AF30-12

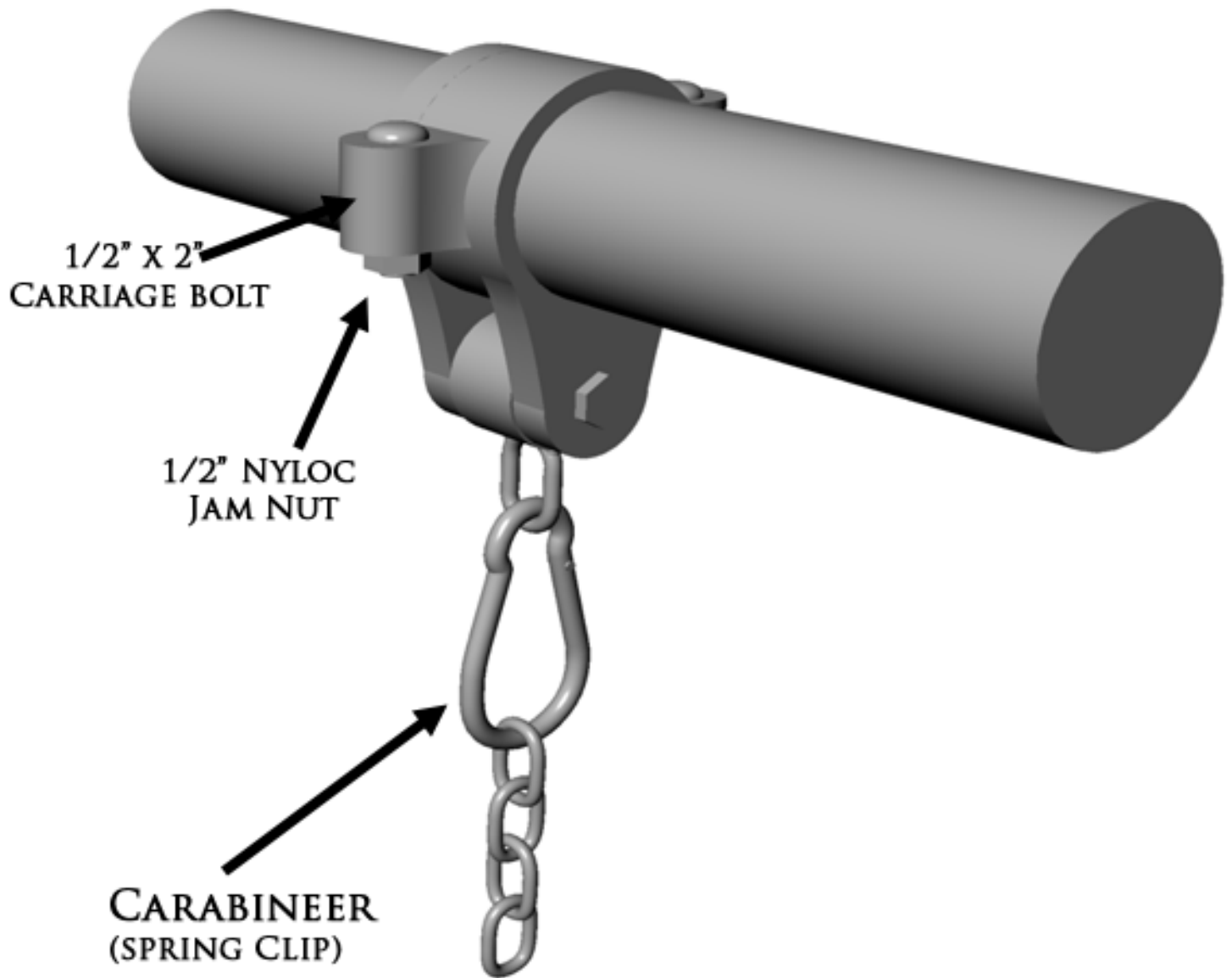


#2 A Frame Leg and Third Leg Assembly

#3 Hole Sizes for Cementing in the Set

BRASS BUSHING SWING HANGER

(MADE OF DUCTILE IRON TO FIT 2 3/8 O.D. TOPRAIL)



1. Loosen and remove the top two nyloc jam nuts.
2. Reassemble on to swing toprail with the carriage bolt on top and the nyloc nut on the bottom. Tighten securely so that the hanger is firmly attached in place and cannot slide or swivel along toprail.
3. Attach Carabineer with chain through the ring.