





# Parts Identification

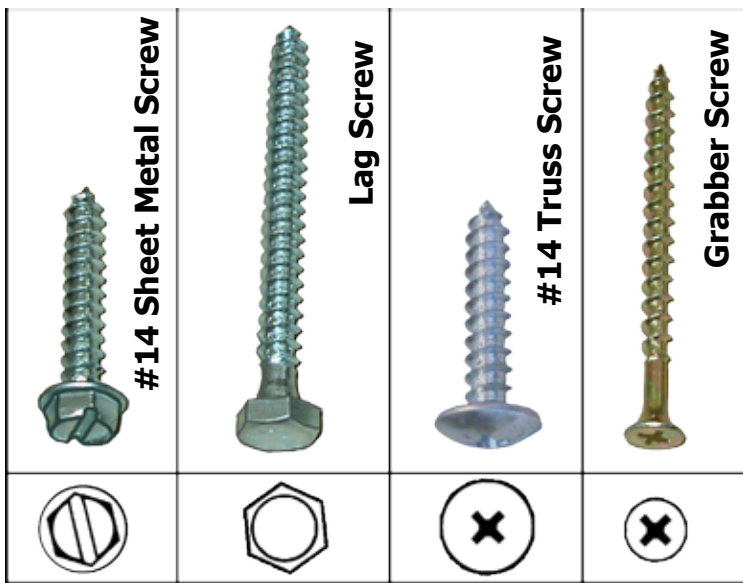
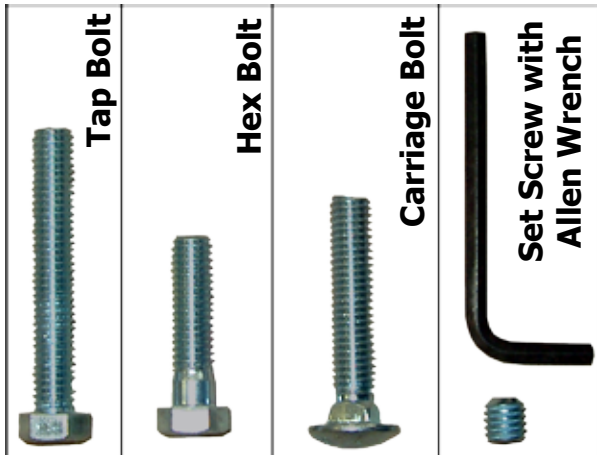
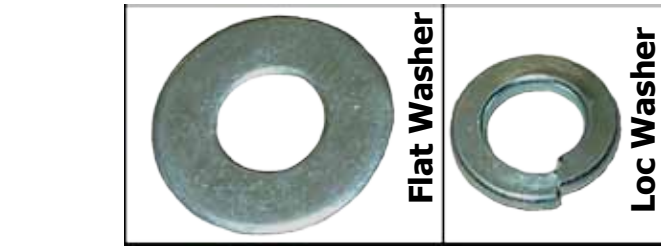
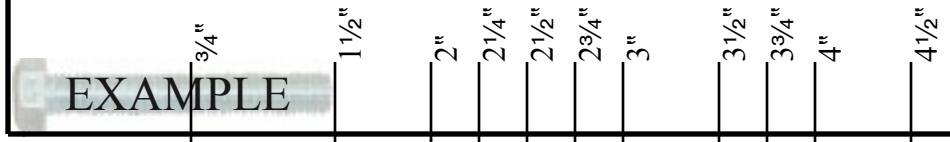
## AF60-10 Swing Set

Quantity	Description
1	Box Containing Swing Set Parts
6	$1\frac{7}{8}$ " $\times$ 11' Leg 
2	$2\frac{3}{8}$ " $\times$ 10' Toprail 
1	 Triple End with Two Sleeves
2	 Triple End with Sleeve

# Swing Set Parts Identification Page

## The Small Parts

**Bolt Length**



**Not every model will have every component or swing part. Pictures are not to scale. The purpose of this sheet is to give you a general idea of the shape and names of the parts of your swing set.**

# Installation Instructions

## AF60-10

### Required Tools

Wheelbarrow

Shovel

Digging Bar or Pick

Allen Wrench (provided)

Marker Pen

Ladder

Tape Measure

Level

Open end or box wrench's:

5/8", 9/16", 3/4"

Ratchet Handle & Sockets:

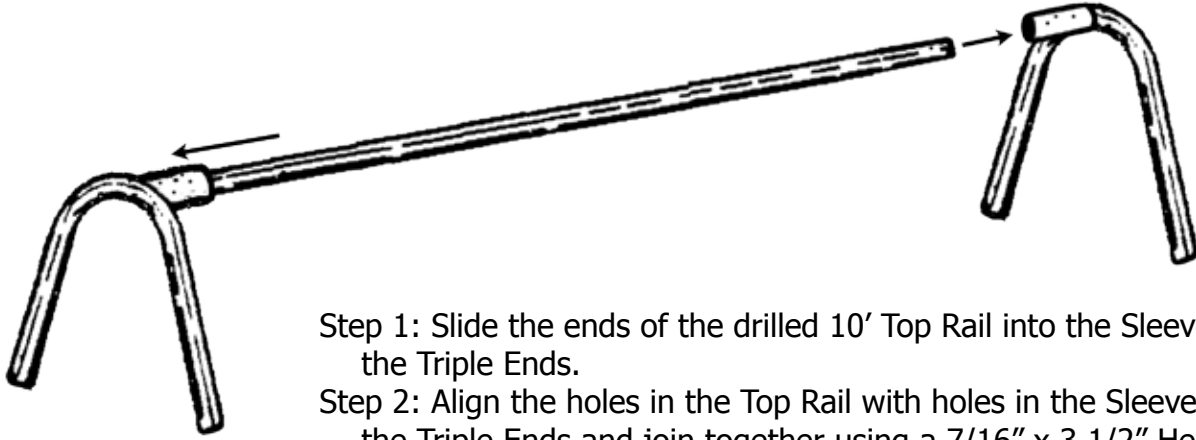
5/8", 9/16", 3/4"

### **PLEASE READ AND UNDERSTAND ALL INSTRUCTIONS BEFORE BEGINNING**

#### **\*Before digging, Please obey local laws by notifying your local utilities marking organization\***

1. Select an area in your yard that is reasonably level and meets the space requirements for your equipment. Ground space: 24' x 12', Residential Play space: 28' x 24'.
2. Please refer to the Top Rail/Out Rigger assembly sheet and assemble your top rails as instructed.
3. Place the assembled top rail section about eleven feet from the selected area. Mark swing hanger locations (see top view to find measurements on the installation diagrams sheet) onto the top rail. Assemble (see swing hanger assembly sheet) and attach the swing hangers securely to the top rail.
4. Flip the top rail onto its side (it should be about eleven feet from the area where you want the unit to finally stand.)
5. Beginning with the openings that are on the ground, insert the legs into the triple end, (see A frame leg assembly) align the holes in the leg and the holes in the triple end and insert the 3/8" x 2 3/4" hex bolt through the triple end and the leg. Attach 3/8" nyloc nut and securely fasten. Insert 3/8" x 3/8" set screw and securely fasten. Repeat this process for the other five legs.
6. Using as many strong adults as necessary, lift and stand the swing set into its upright position. Adjust your swing set into the desired location. Mark the holes for each of the six legs.
7. Dig the holes approximately 18" in diameter and approximately 12" deep.
8. Put the legs into the holes.
9. Measure the distance from about the center of the top rail to the ground. This distance should be 10'. Adjust the depth of the holes as necessary to achieve this height.
10. Determine the level of the swing set by using the level along the length of the top rail. Remove from, or add soil to the holes as necessary to make the unit level. You can also check the level side to side by holding the level across the bottom of the triple end.
11. Mix the concrete according to package instructions and pour into the hole. (You will use approximately 1 1/2, 80 pound bags of concrete per hole.)
12. Allow the concrete to cure completely before using your swing set (3 to 5 days).
13. Attach chains and swing seats and enjoy your Component Playground.

# TOP RAIL ASSEMBLY



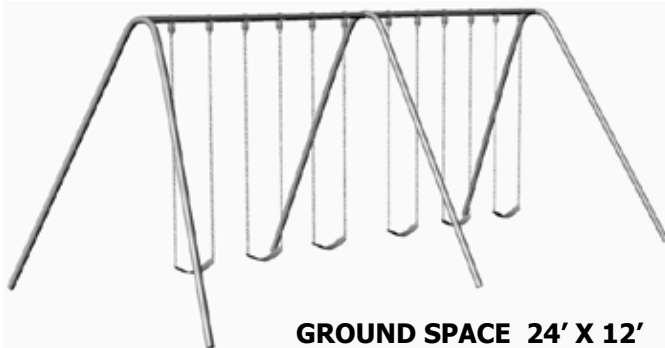
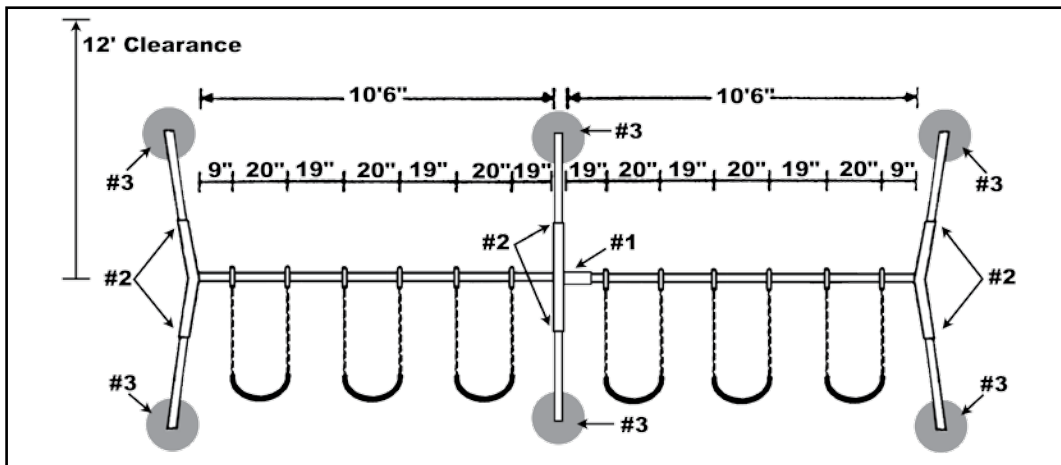
Step 1: Slide the ends of the drilled 10' Top Rail into the Sleeves of the Triple Ends.

Step 2: Align the holes in the Top Rail with holes in the Sleeves of the Triple Ends and join together using a  $7/16''$  x  $3\ 1/2''$  Hex Bolt and  $7/16''$  Nyloc Nut (one set for each end).

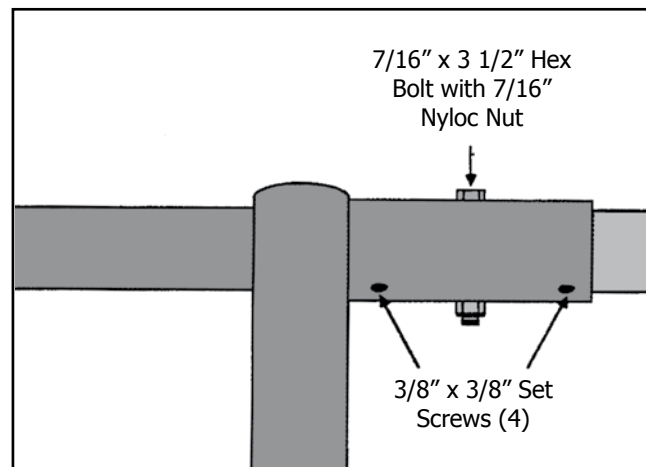
Step 3: Insert and tighten (4)  $3/8''$  x  $3/8''$  set screws into each of the Triple End Sleeves using Allen Wrench provided.

# INSTALLATION INSTRUCTIONS

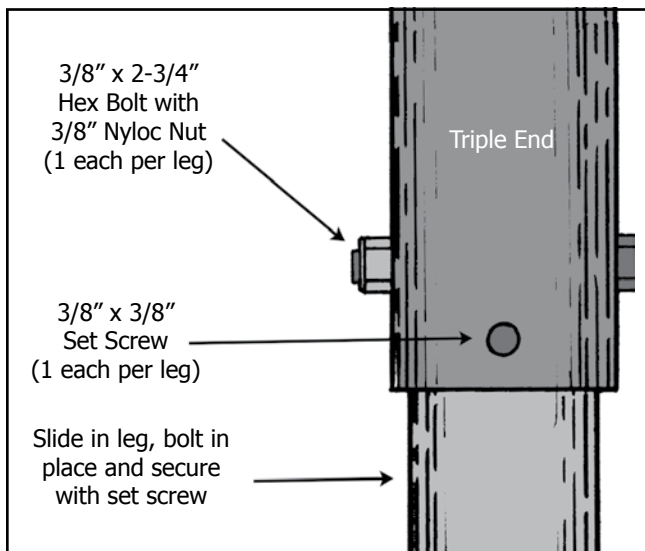
## MODEL AF60-10



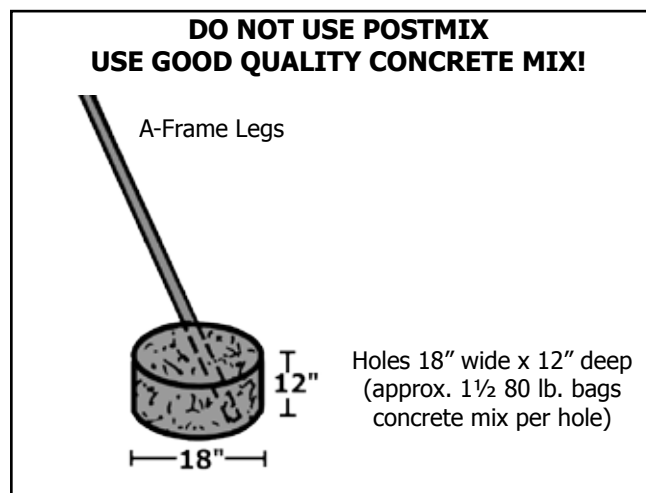
**GROUND SPACE 24' X 12'**  
**RESIDENTIAL**  
**PLAY SPACE 28' X 24'**



**#1 Bolting Top Rail Sections Together**



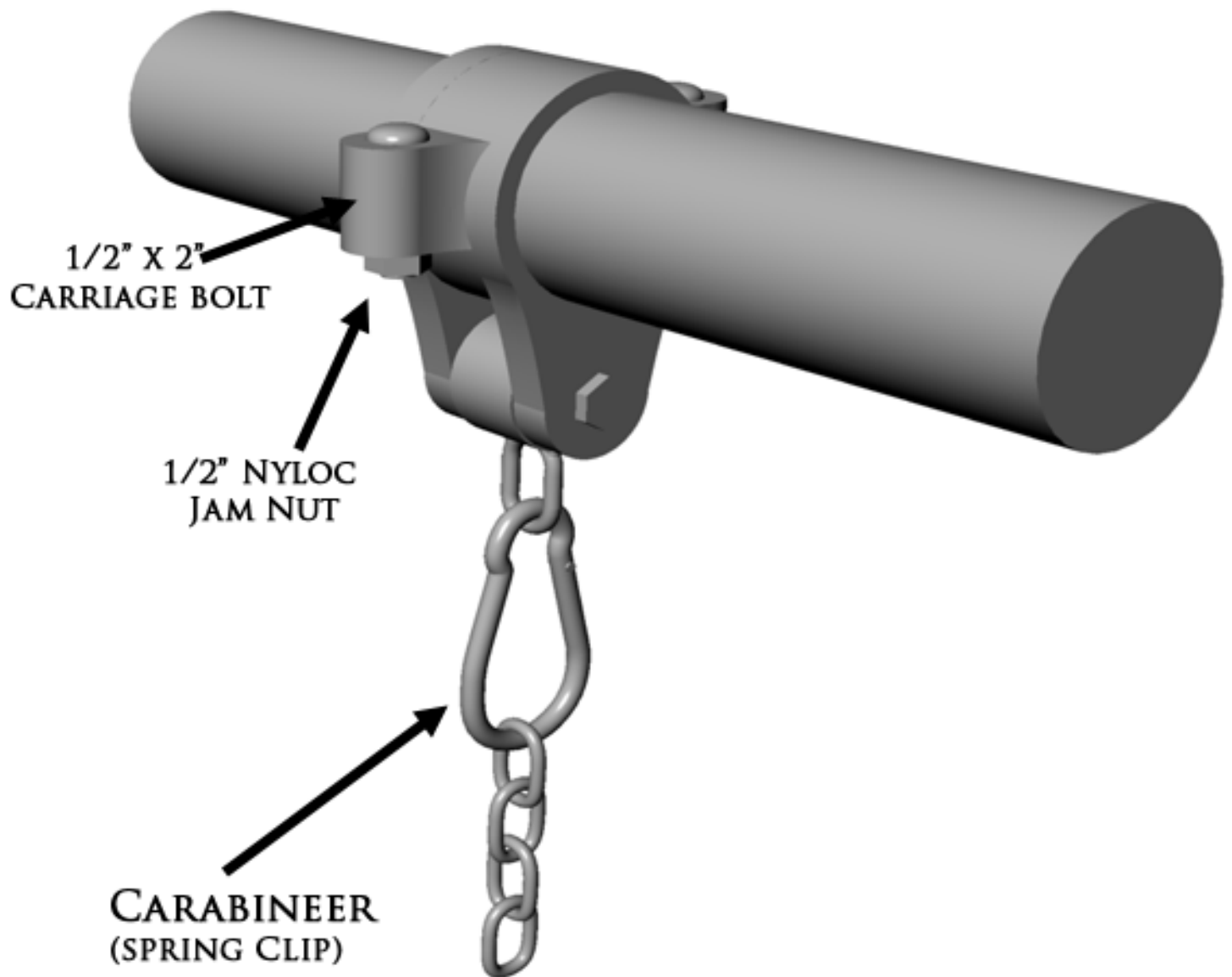
**#2 A Frame Leg Assembly**



**#3 Hole Sizes for Cementing in the Set**

# BRASS BUSHING SWING HANGER

(MADE OF DUCTILE IRON TO FIT 2 3/8 O.D. TOPRAIL)



1. Loosen and remove the top two nyloc jam nuts.
2. Reassemble on to swing toprail with the carriage bolt on top and the nyloc nut on the bottom. Tighten securely so that the hanger is firmly attached in place and cannot slide or swivel along toprail.
3. Attach Carabineer with chain through the ring.