









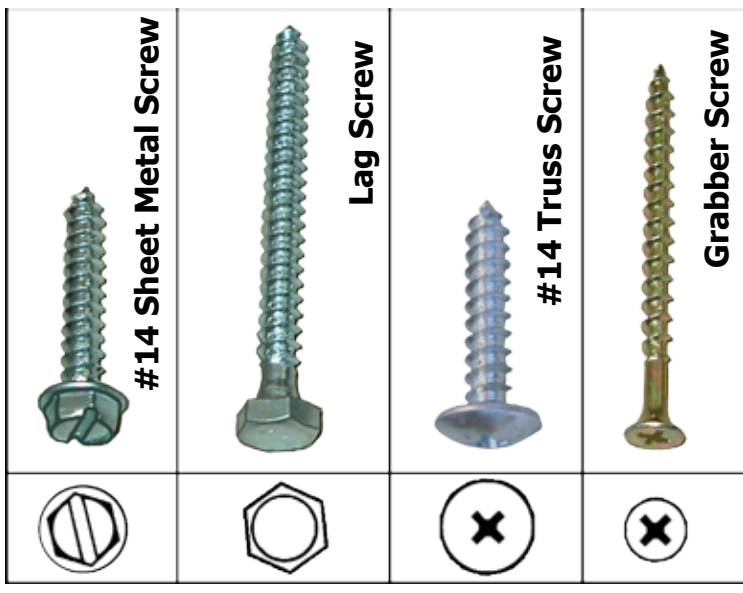
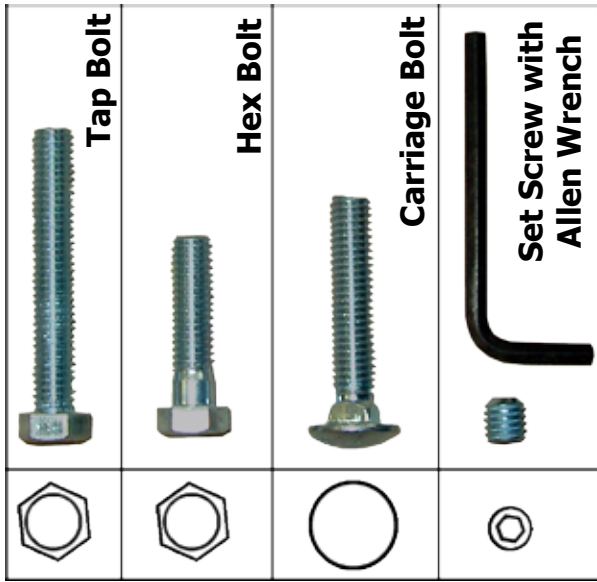
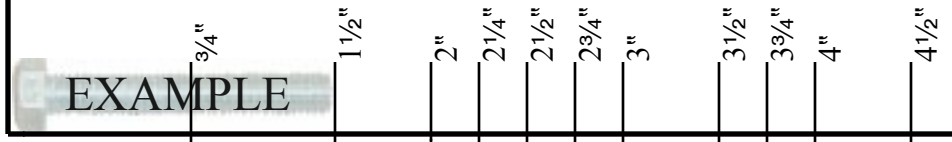
# Parts Identification

## MT30-10 Swing Set

Quantity	Description
1	Box Containing Swing Set Parts
2	$1\frac{7}{8}'' \times 11'$ Leg 
1	$2\frac{3}{8}'' \times 16'$ Toprail 
1	$1\frac{7}{8}'' \times 13'$ Third Leg 
1	10' Upright Ladder (Actual length 12') 
1	 Triple End with Sleeve
1	Turning bar cross piece and 6' Upright 

# Swing Set Parts Identification Page The Small Parts

**Bolt Length**



**Not every model will have every component or swing part. Pictures are not to scale. The purpose of this sheet is to give you a general idea of the shape and names of the parts of your swing set.**

# Installation Instructions

## MT30-10

### Required Tools

Wheelbarrow

Shovel

Digging Bar or Pick

Allen Wrench (provided)

Marker Pen

Ladder

Tape Measure

Level

Hammer or Mallet

Open end or box wrench's:

5/8", 9/16", 3/4", 1/2"

Ratchet Handle & Sockets:

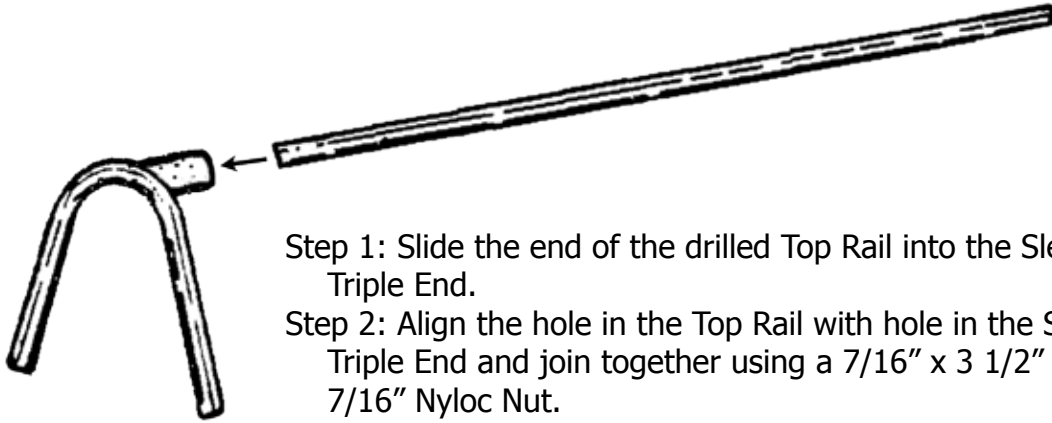
5/8", 9/16", 3/4", 1/2"

### **PLEASE READ AND UNDERSTAND ALL INSTRUCTIONS BEFORE BEGINNING**

#### **\*Before digging, Please obey local laws by notifying your local utilities marking organization\***

1. Select an area in your yard that is reasonably level and meets the space requirement for your equipment. Ground Space: 17' x 12'. Play Space: 21' x 24'.
2. Please refer to the outrigger assembly sheet and assemble your outrigger as instructed.
3. Position the Outrigger about 12' from the selected spot where you want the unit to finally stand. Using a tape measure and marker, mark location of the swing hangers and the ladder along the outrigger. ( see top view on assemble and install instructions for measurements on your particular set.)
4. Assemble swing hangers (see swing hanger assembly sheet) and attach securely to the outrigger. Hint: Only attach the three swing hangers that will be on the inside of the ladder and the A frame legs.
5. Using the hammer, install the plug into the open end of the outrigger.
6. Locate position in your yard where the upright ladder will stand. Dig the hole for the ladder (see #1). Lay the ladder onto the ground with the bottom of the ladder laying just over the hole where it will finally stand. Hint: Be sure to situate the ladder so that when the unit is finally standing the rungs and the third leg bolt will be facing as desired in your space.
7. Turn the outrigger onto its side on the ground. Slide the outrigger into the sleeve at the top of the ladder and position it to the marks previously made. (see #3). Loosely install set screws into the top of the ladder sleeve. Bolt "A" frame legs into place (see #2).
8. Using two strong adults, stand the swing frame up, allowing the ladder to fall into the hole previously dug. (Note: set will not be level at this point.) At this point, check to make sure that the outrigger is still in its proper place inside the ladder top sleeve. Adjust as necessary by holding onto the ladder securely and pushing or pulling the "A" frame section causing the outrigger to slide inside the top sleeve. When you are satisfied that the outrigger is in the proper position, securely tighten the set screws in the top sleeve of the ladder.
9. With the ladder still standing in its hole, situate the "A" frame end to the desired position in the play area. Determine location of the "A" frame legs and mark the holes. Move the legs out of the way and dig the holes. (Keep most of the hole to the inside of the leg). Place the legs into the holes.
10. Measure from about the middle of the outrigger to the ground. This measurement should be 10'. Determine the level of the swing set by using the level along the length of the top rail. Remove from, or add soil to the holes as necessary to put the unit to the correct height and to make it level.
11. Before installing the third leg, locate the un-smashed end of the third leg with the hole drilled approximately 3" from the bottom. Insert  $\frac{3}{8}$ " x  $3\frac{1}{2}$ " Hex Bolt and loosely thread  $\frac{3}{8}$ " Nut on the other side. Nut will not thread all the way on and bolt will be loose. (This is to act as an anchor in the concrete and does not need to be tight.)
12. From the center of the ladder (on the side where the rungs are welded on), measure away from the ladder 6'. Mark and dig the hole for the third leg. Drop the third leg into the hole and place the end with the hole drilled over the bolt welded to the top sleeve of the ladder. Using a  $\frac{3}{8}$ " nyloc, securely fasten third leg to the ladder.
13. Determine location of turning bar hole by placing the turning bar up to the ladder. Mark and dig the hole. Attach the turning bar to the ladder. Check and adjust the level of the turning bar. (See #4 fire pole and turning bar assembly.)
14. Mix concrete according to package directions and pour into the holes. (See #1 hole sizes for cementing in the set.) You will use approximately seven 80 pound bags in the ladder hole and 1  $\frac{1}{2}$  bags in each of the leg holes.
15. Allow the concrete to cure completely before you use your swing set(3-5 days).
16. Attach chains and swing seats and enjoy your Component Playground.

# OUTRIGGER ASSEMBLY



Step 1: Slide the end of the drilled Top Rail into the Sleeve of the Triple End.

Step 2: Align the hole in the Top Rail with hole in the Sleeve of the Triple End and join together using a  $7/16''$  x  $3\ 1/2''$  Hex Bolt and  $7/16''$  Nyloc Nut.

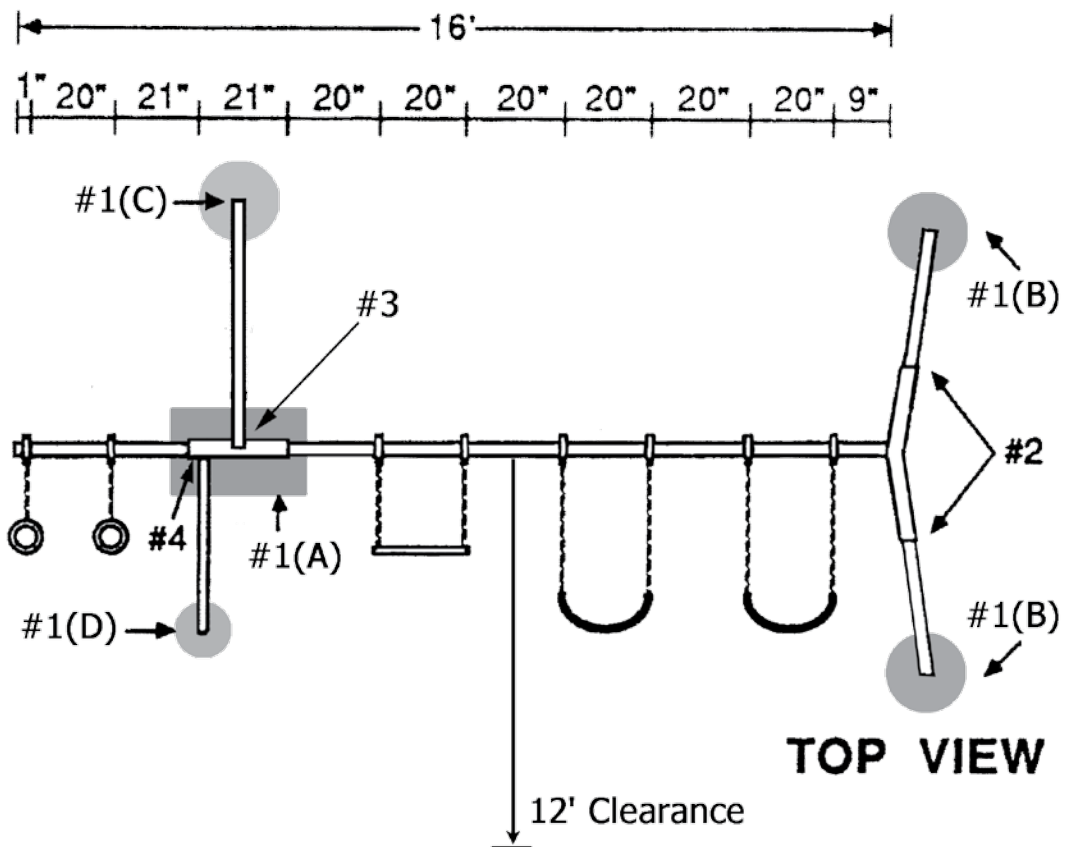
Step 3: Insert and tighten (4)  $3/8''$  x  $3/8''$  set screws into the Triple End Sleeve using Allen Wrench provided.

# INSTALLATION INSTRUCTIONS

## Model MT30-10



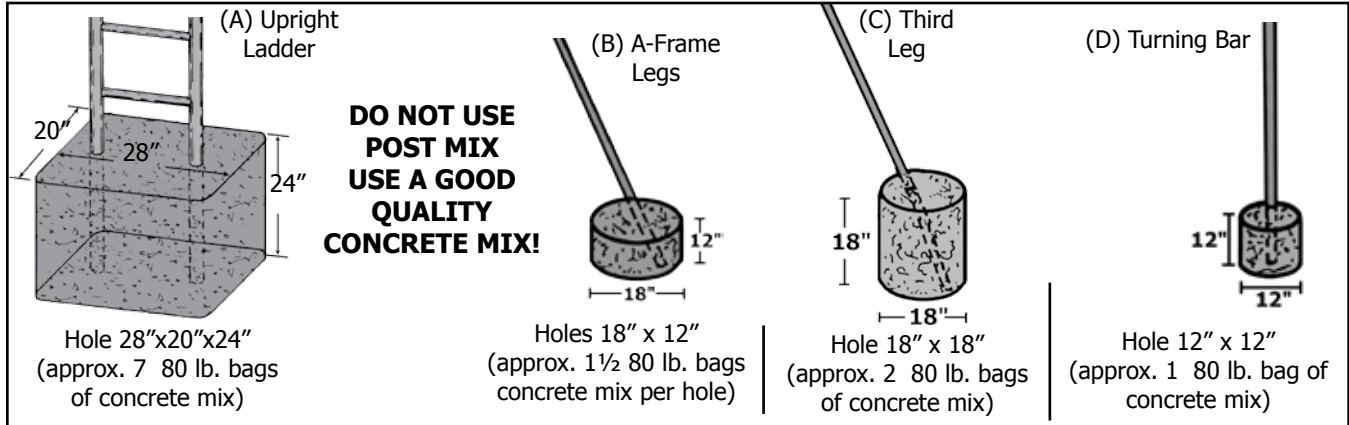
**GROUND SPACE 17' X 12'**  
**RESIDENTIAL**  
**PLAY SPACE 21' X 24'**



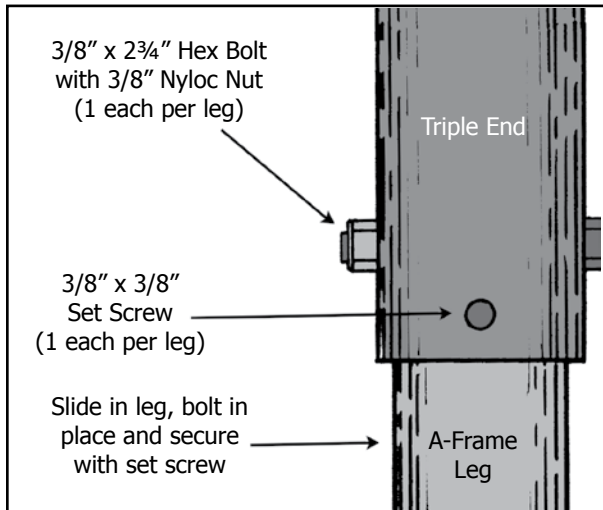
*Continued on Reverse*

# INSTALLATION INSTRUCTIONS

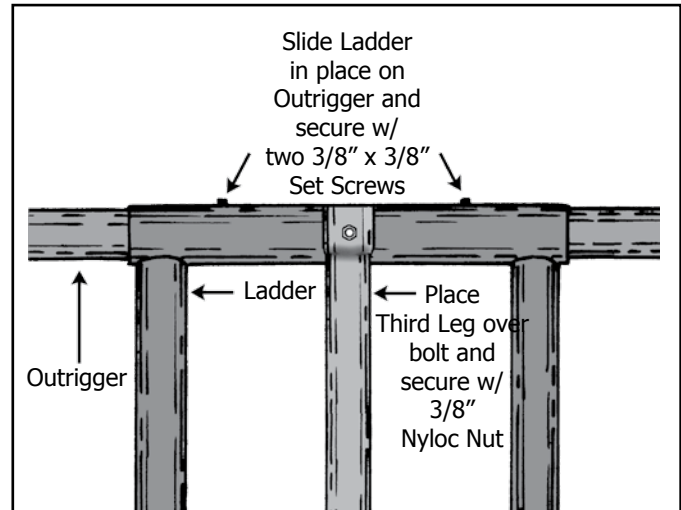
## Model MT30-10 CONTINUED



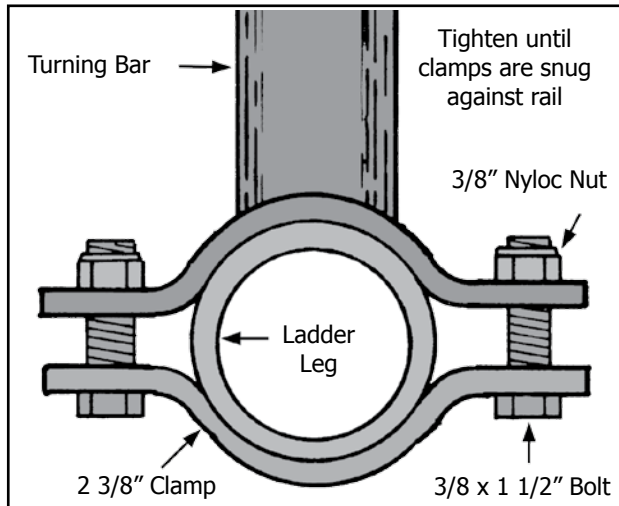
### #1 Hole Sizes for Cementing in the Set



#2 A-Frame Leg Assembly



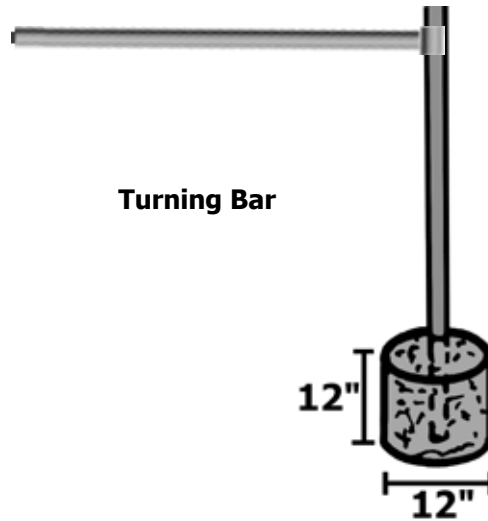
#3 Ladder to Top Rail Assembly & 3rd Leg Attachment



#4 Turning Bar Assembly

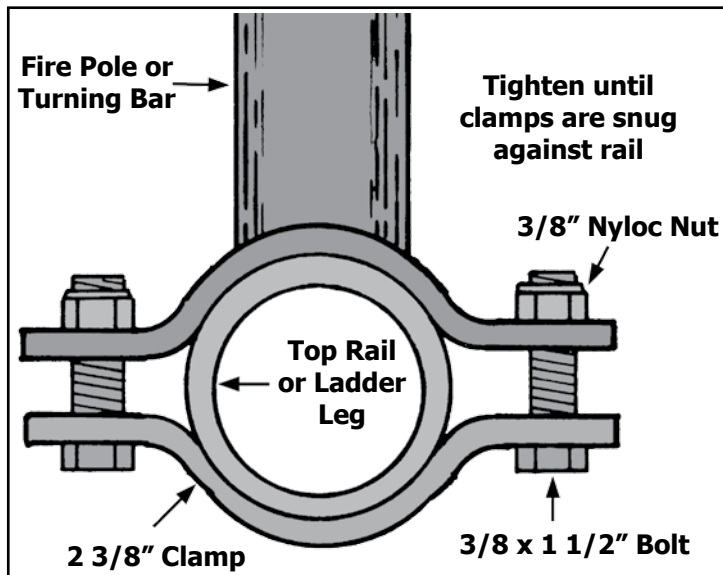
# INSTALLATION INSTRUCTIONS

## MT Fire Pole or Turning Bar Add On

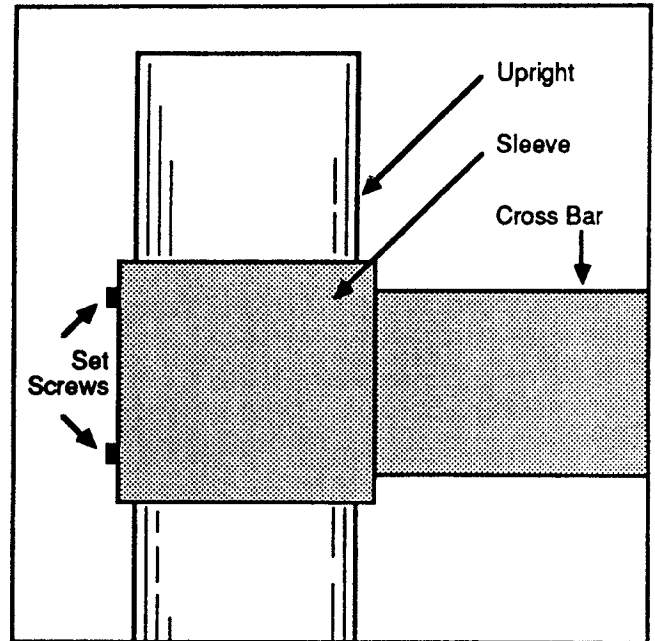


- Determine Desired Location of Fire Pole on the Top Rail, or the Turning Bar on the Upright Ladder Leg.
- Determine location of hole and dig hole as shown below.
- Clamp Fire Pole or Turning Bar into position, level and cement in ground.

Turning Bar / Fire Pole

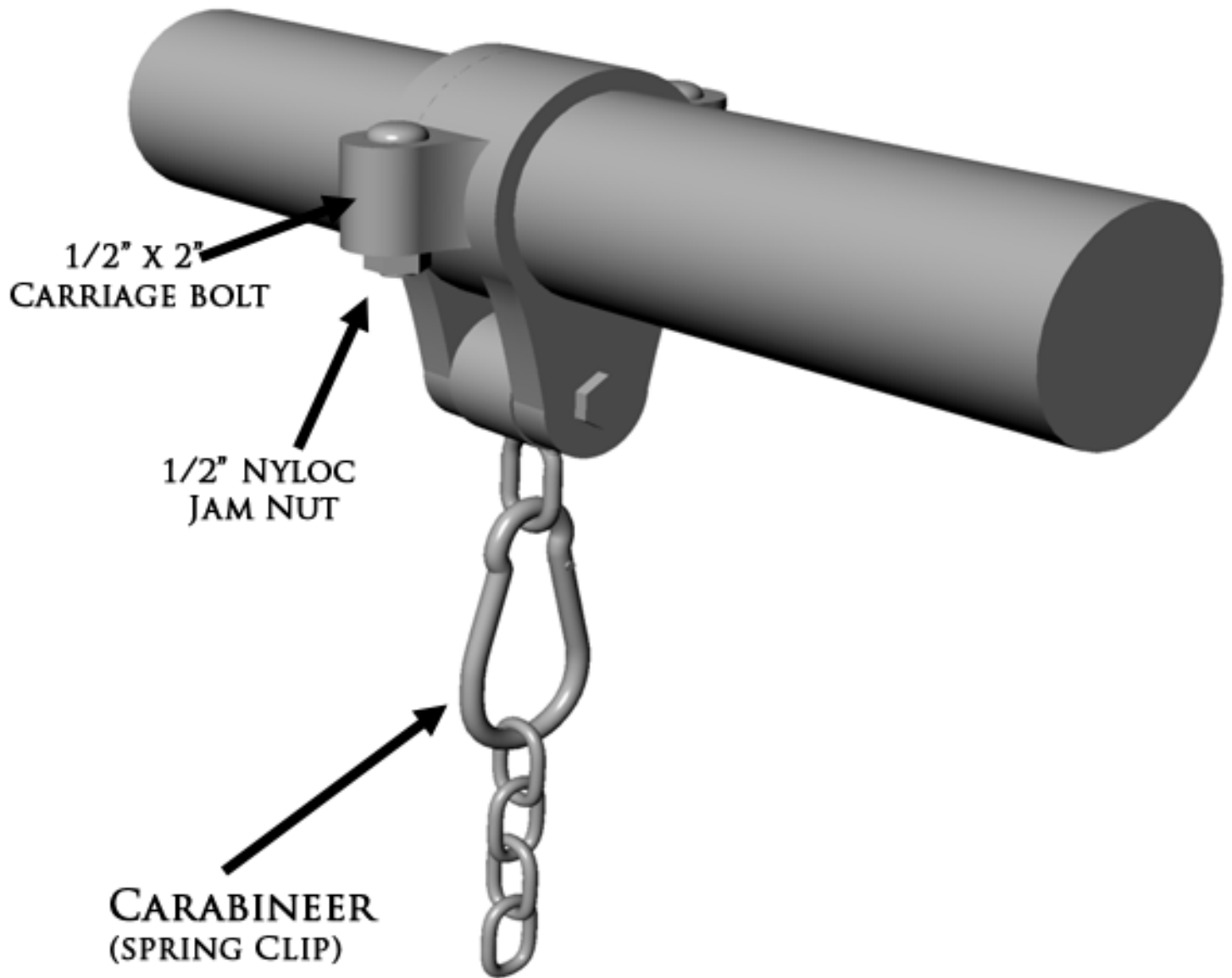


Turning Bar



# BRASS BUSHING SWING HANGER

(MADE OF DUCTILE IRON TO FIT 2 3/8 O.D. TOPRAIL)



1. Loosen and remove the top two nyloc jam nuts.
2. Reassemble on to swing toprail. The carriage bolt can be positioned as it is pictured or flipped around so the carriage bolt is on the bottom.  
Tighten securely so that the hanger is firmly attached in place and cannot slide or swivel along toprail.
3. Attach Carabineer with chain through the ring.