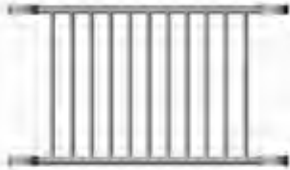
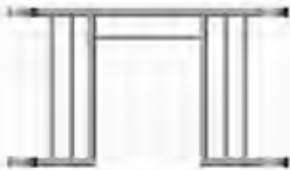









Parts Identification

PH35-10 Swing Set

(Page 1 of 2)








Quantity	Description
1	Box Containing Swing Set Parts
2	 PH Full Barrier
1	 PH Exit Barrier
1	 PH Entrance Barrier
2	 PH Canopy Arch  Intentionally Bent
1	 PH Deck Package
1	Slide 



Parts Identification

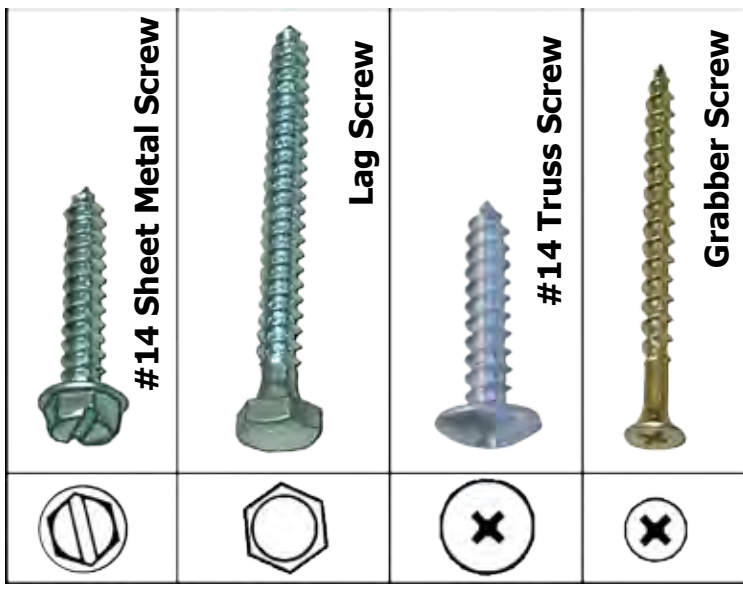
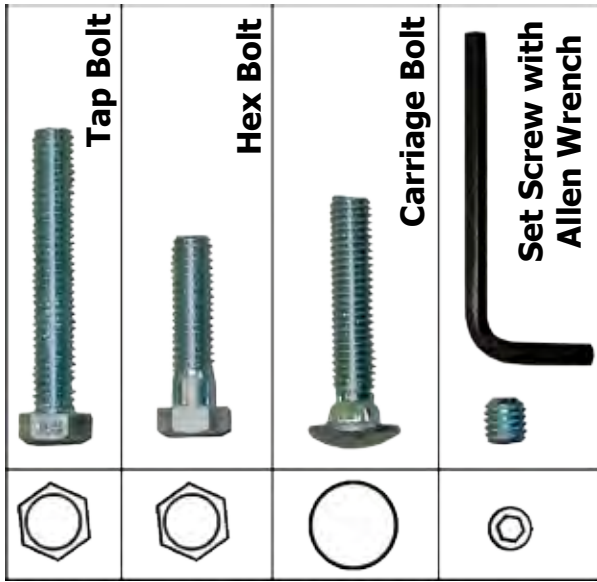
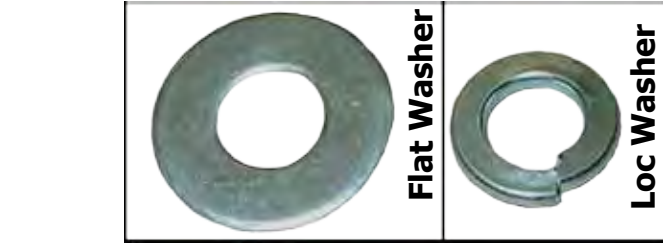
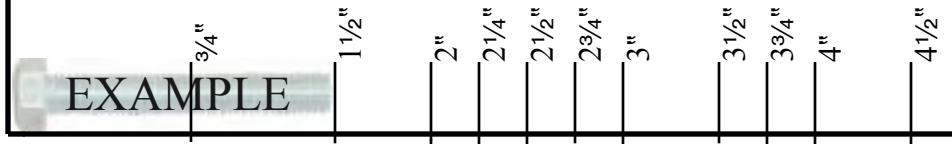
PH35-10 Swing Set

(Page 2 of 2)

Quantity	Description
4	<p>1$\frac{7}{8}$" \times 9' 6" Leg</p> 
1	<p>8' Upright Ladder with Sleeves (Actual length 10')</p> 
1	<p>2$\frac{3}{8}$" \times 8' Toprail</p> 
1	<p>2$\frac{3}{8}$" \times 5' Toprail</p> 
1	<p>12' 6" Horizontal Ladder</p> 
1	<p>10' Upright Ladder with Sleeves (Actual length 12')</p> 
1	<p>1$\frac{7}{8}$" \times 13' Third Leg</p> 

Swing Set Parts Identification Page The Small Parts

Bolt Length



Not every model will have every component or swing part. Pictures are not to scale. The purpose of this sheet is to give you a general idea of the shape and names of the parts of your swing set.

Installation Instructions

PH35-10

Required Tools

Wheelbarrow

Shovel

Digging Bar or Pick

Allen Wrench (provided)

Hammer or Mallet

Marker Pen

Ladder

Tape Measure

Level

Open end or box wrench's:

5/8", 9/16", 3/4", 1/2"

Ratchet Handle & Sockets:

5/8", 9/16", 3/4", 1/2"

Cordless or electric drill w/bits as Follows:

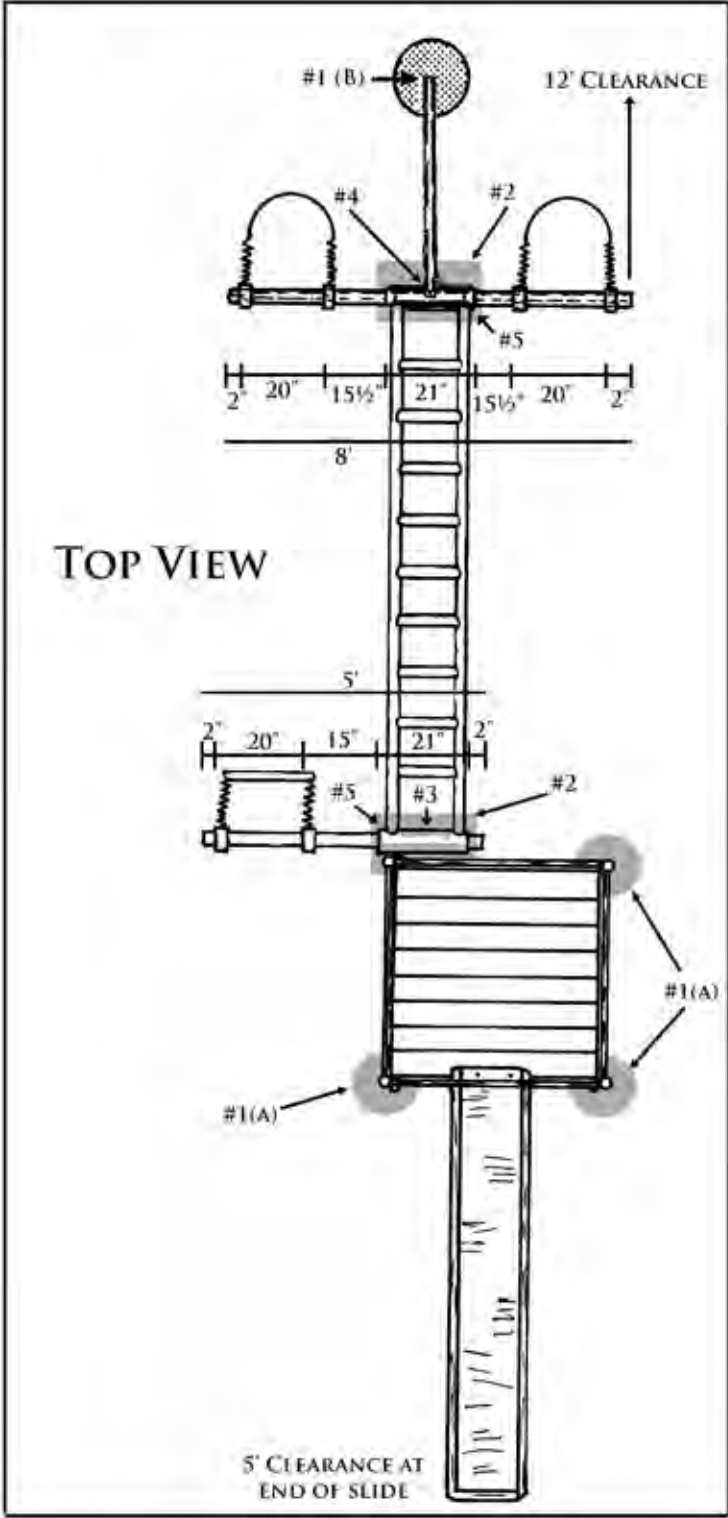
Phillips, 3/8" drill bit

PLEASE READ AND UNDERSTAND ALL INSTRUCTIONS BEFORE BEGINNING

Before digging, Please obey local laws by notifying your local utilities marking organization

1. Select an area in your yard that is reasonably level and meets the space requirements for your equipment. PH35-10 Ground space: 8' x 32'. Play space: 12' x 43'.
2. Position the horizontal ladder in your yard where you want the unit to finally stand. Measure and be certain that all necessary clearances for the deck and swinging space are available in this position.
3. Using a tape measure and marker, mark location of the Ladder and swing hangers along the 5' top rail. See the detail on the front page of your installation instructions.
4. With the horizontal ladder in position on the ground, locate and mark the holes for the two upright ladders. Move the horizontal ladder out of the way and dig the holes for the upright ladders. (See #1: Hole size for upright ladder)
5. Lay each vertical ladder on the ground near the hole where it will eventually stand. Make a mark 15" from the top of the ladder onto each ladder rail of the 8' four rung. Make a mark 39" from the top of the ladder onto each ladder rail of the 10' ladder. Move the adjustable sleeves to these marks and position them to receive the horizontal ladder by turning them to point at a 90 degree angle (towards what will become the inside of the structure.) Away from the upright ladder. Secure the set screws.
6. Place the vertical ladders onto their sides. Hint: The 8' four rung is used for access to the deck. The 10' three rung is to be used at the swings end away from the deck. The ladder rungs should be positioned to allow for access into the Playhouse. Attach the overhead ladder to the vertical ladders and secure the set screws. See #4 horizontal ladder connection to upright ladder. Hint: Do not push the overhead ladder tight against the vertical ladders. Leave a 1/2" to 1" gap between the vertical ladder rails and the overhead ladder. This will allow for easier adjustment of the overhead ladder in the future.
7. Using two strong adults, stand the horizontal ladder portion into the holes previously dug.
8. Insert the 5' top rail into the top sleeve of the vertical ladder that will be used to access the Playhouse deck.
9. Measure the height of the top rail to insure proper swing height. Level the structure.
10. Refer to: Playhouse Assembly and Installation Instructions. Assemble the Playhouse deck and structure, and position the deck as shown.
11. Attach the slide as shown on the slide assembly sheet.
12. Attach any additional climbers as may be necessary.
13. Using a the tape measure and marker, measure and mark the locations of the swing hangers and the vertical ladder along the length of the 8' top rail. (Refer to the detail on the front page of the PH 35 installation instructions.)
14. Install the 8' top rail into the top sleeve of the vertical ladder at the swing end of the horizontal ladder. Securely tighten the set screws in the top sleeve of the vertical ladder.
15. Assemble swing hangers as shown on the swing hanger assembly sheet and attach to the top rails as instructed.
16. Using a hammer, install the 2-3/8" plugs into the open ends of the top rails.
17. Before installing the third leg, locate the un-smashed end of the third leg with the hole drilled approximately 3" from the bottom. Insert 3/8" x 3 1/2" Hex Bolt and loosely thread 3/8" Nut on the other side. Nut will not thread all the way on and bolt will be loose. (This is to act as an anchor in the concrete and does not need to be tight.)
18. Install the third leg onto the 10' ladder by first measuring away from the ladder about 5-1/2'. Mark the spot and dig the hole about 18" deep. Drop the leg into the hole and place the smashed end over the bolt that is welded to the ladder top sleeve.
19. Securely fasten the third leg to the ladder with a 3/8" nyloc nut. Hint: The third leg can be used to help level the structure by pushing or pulling the ladder as may be necessary.
20. Check the level of the entire structure and adjust as necessary.
21. When you are satisfied that the structure is level, mix and pour the concrete according to the package directions. You will use approximately seven 80# bags in the ladder hole and 1 1/2 bags in each of the leg holes.
22. Allow the concrete to cure completely before using your swing set. (3-5 days).
23. Attach chains and swinging items and enjoy your Component Playground.

INSTALLATION INSTRUCTIONS MODEL PH35-10

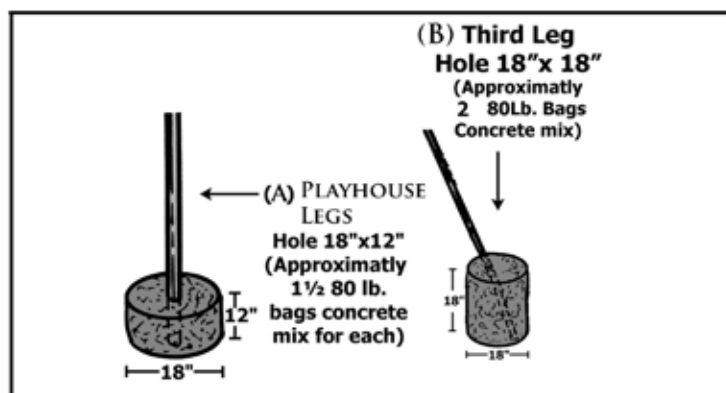


GROUND SPACE 8' X 32'
PLAY SPACE 12' X 43'

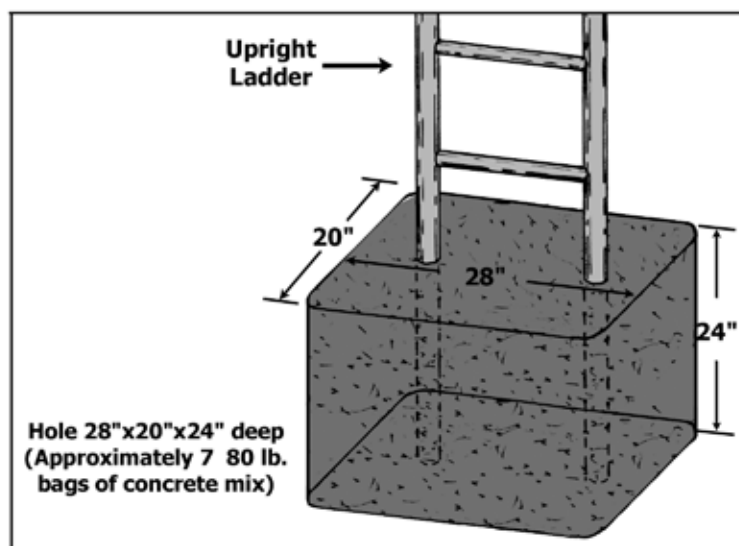
INSTALLATION INSTRUCTIONS

MODEL PH35-10

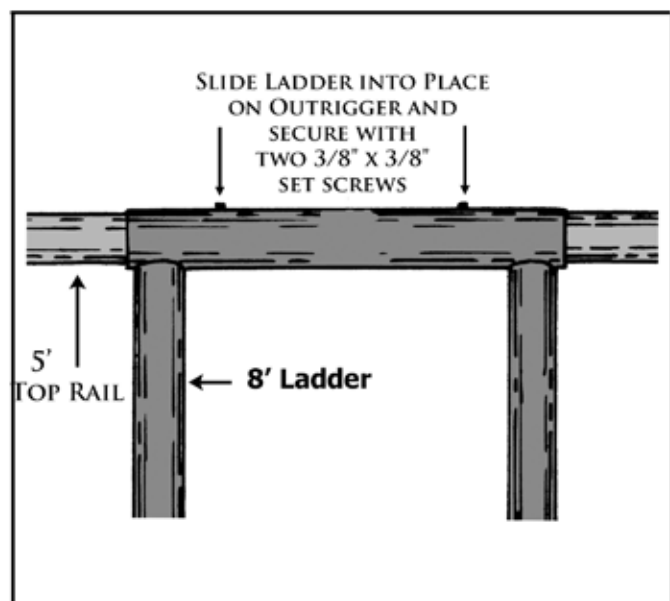
CONTINUED



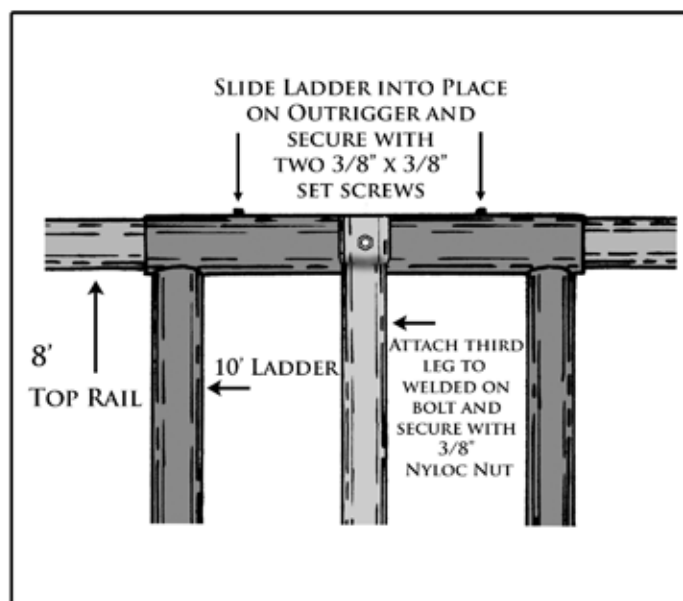
#1 HOLE SIZES FOR CEMENTING IN THE SET.



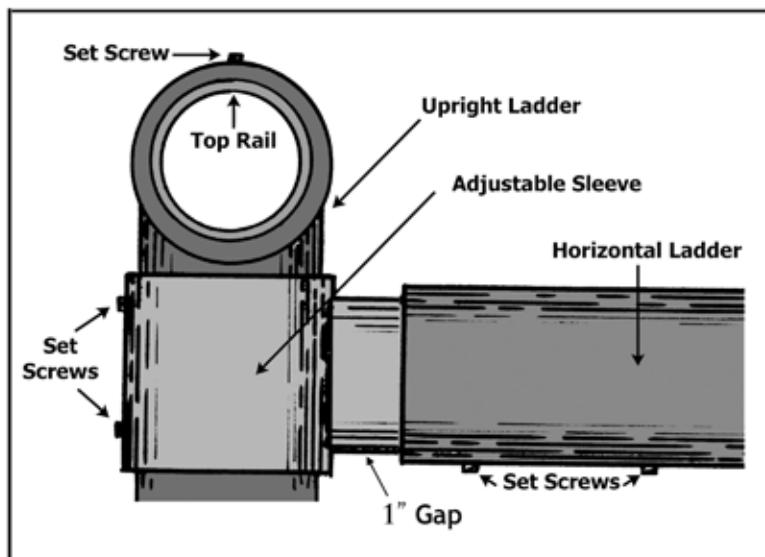
#2 UPRIGHT LADDER HOLE CEMENTING



#3 LADDER TO TOP RAIL ASSEMBLY



#4 LADDER TO TOP RAIL ASSEMBLY W/3RD LEG

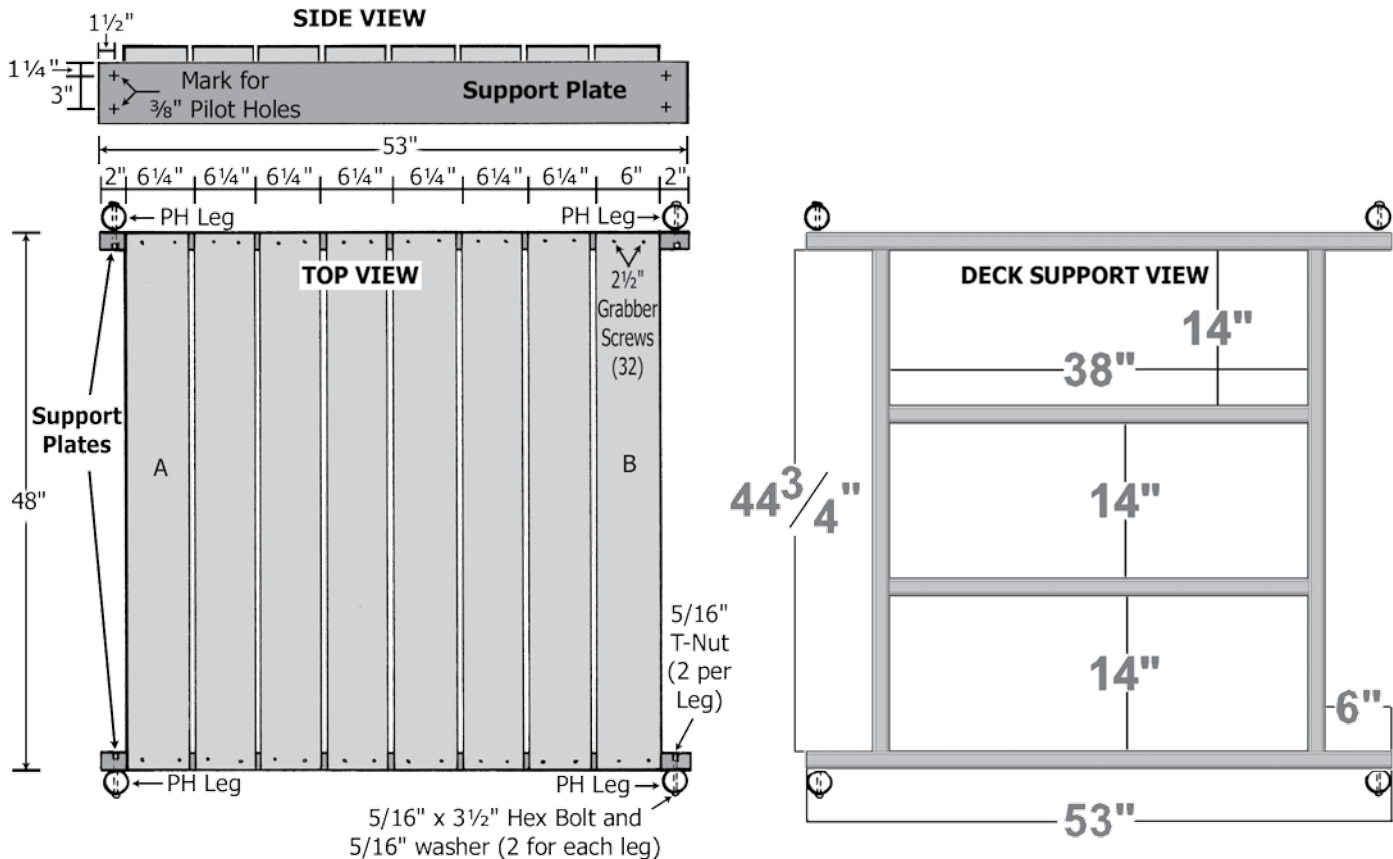


#5 HORIZONTAL LADDER TO UPRIGHT LADDER ASSEMBLY

5' Playhouse Assembly and Installation Instructions

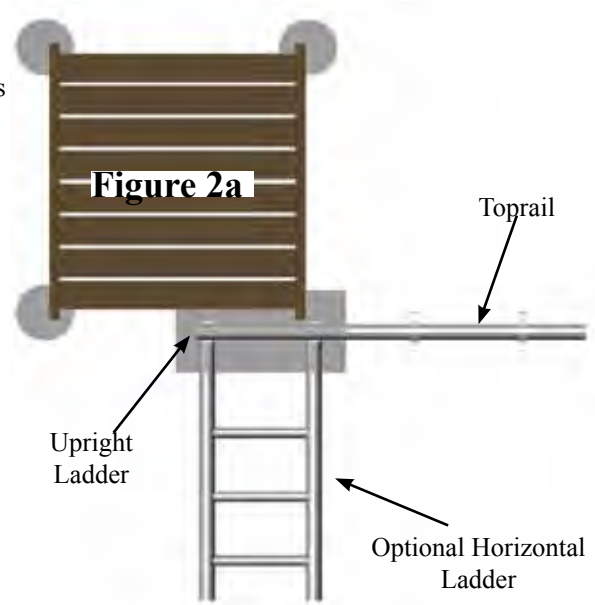
1. Assemble the platform.

- a. Mark the support plates as shown in Side View.
- b. Drill $\frac{3}{8}$ " pilot holes at each mark.
- c. Assemble the supports as shown in Deck Support View.
- d. Attach boards A and B first. Evenly space the remaining boards (about $\frac{3}{4}$ " apart) and attach to the support plates using the $2\frac{1}{2}$ " grabber screw. Refer to Top View.
- e. The platform should just square itself up as it is assembled. However, you should verify that the platform is square before continuing on with the assembly.
 - e1. How to determine if your platform is square: Use a tape measure. Determine the diagonal corner to corner measurement. Verify that measurement with the opposite diagonal corner to corner measurement. Within a small margin of error, these two measurements should be the same.



2. Locating the footings for the playhouse structure

- a. Place the assembled platform next to the upright ladder.
- b. Line up the support plates of the assembled platform with the inside rail of the vertical ladder. Make sure that the platform is straight against the vertical ladder. Refer to figure 2a.
- c. At each corner, mark the ground for the footings, move the platform out of the way and dig the holes. Refer to figure 2b.

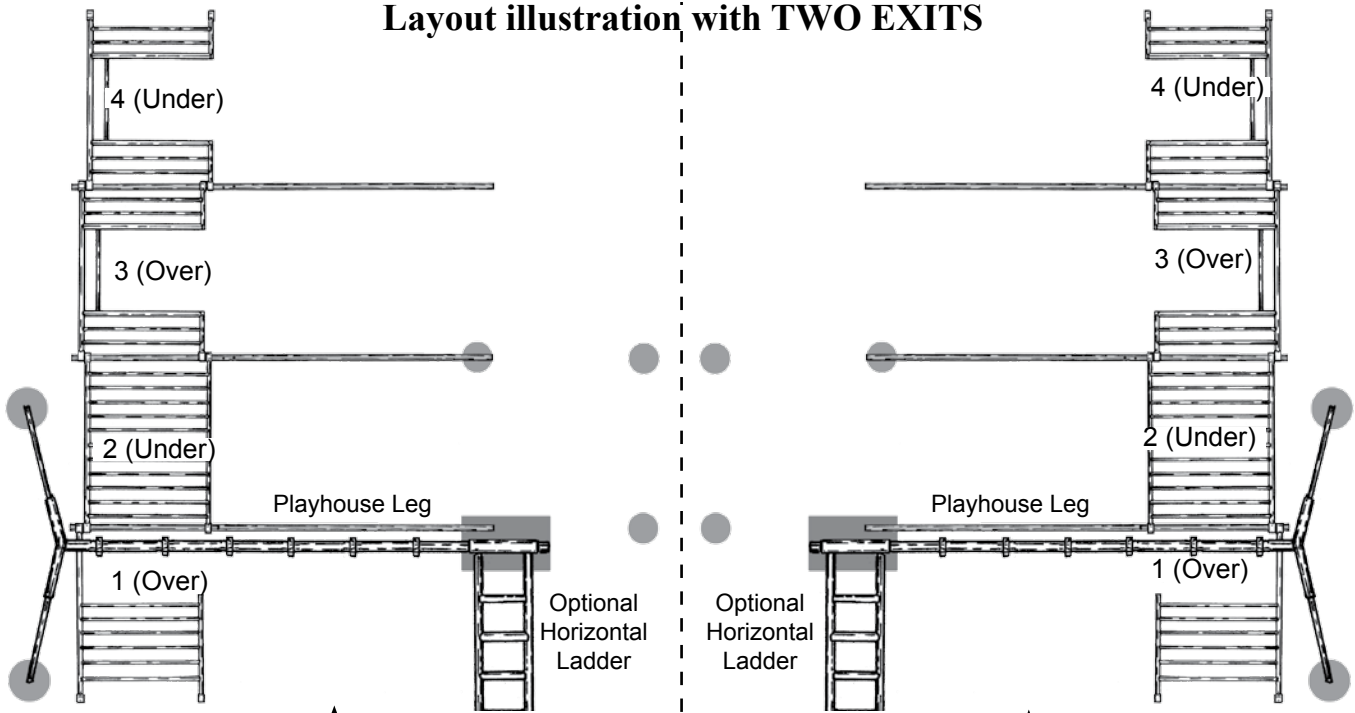


3. Playhouse Assembly

There are several different barrier configuration possibilities. These configurations are determined by the number of exits on your set and the way that you want the structure assembled in your yard. Please refer to the following lay out illustrations to determine how to assemble the playhouse using the configuration that you have purchased.

- a. Locate the four playhouse legs. Measure 45" from the end of the pipe to the center of the first hole to determine which end of the pipe is the top.
- b. Make a mark 4 1/2" down from the top of each playhouse leg.
- c. Identify the layout illustration that shows the correct amount of exits included in your set.
- d. Lay the barriers out as shown in the illustration that represents your particular configuration. Loosely install set screws into each barrier sleeve.
- e. Pay particular attention to the position of each barrier in relation to the barrier at each side. The layout of the barriers should follow an **over and under** pattern beginning with the entrance barrier. Please refer back to the layout illustration and note the positioning pattern of the barriers.

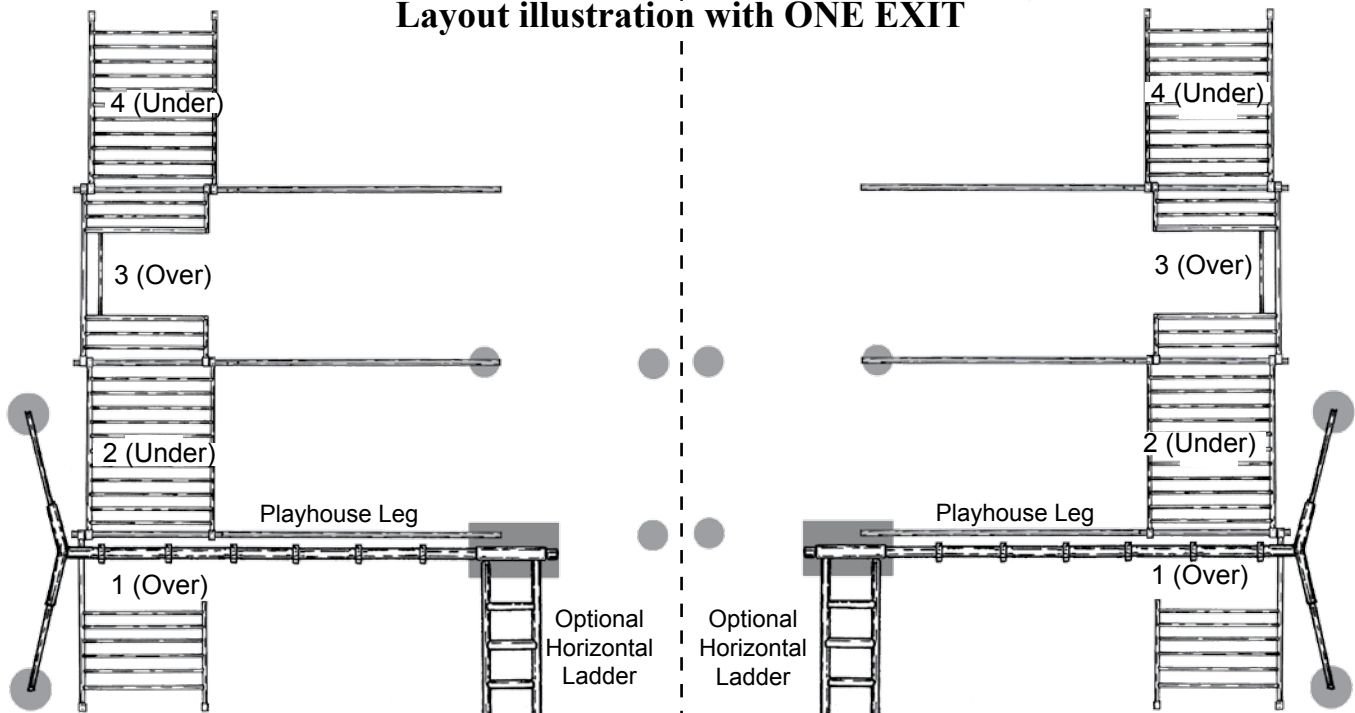
Layout illustration with TWO EXITS



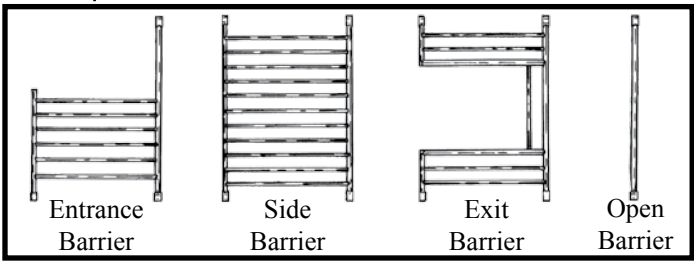
“Left Handed” Layout

“Right Handed” Layout

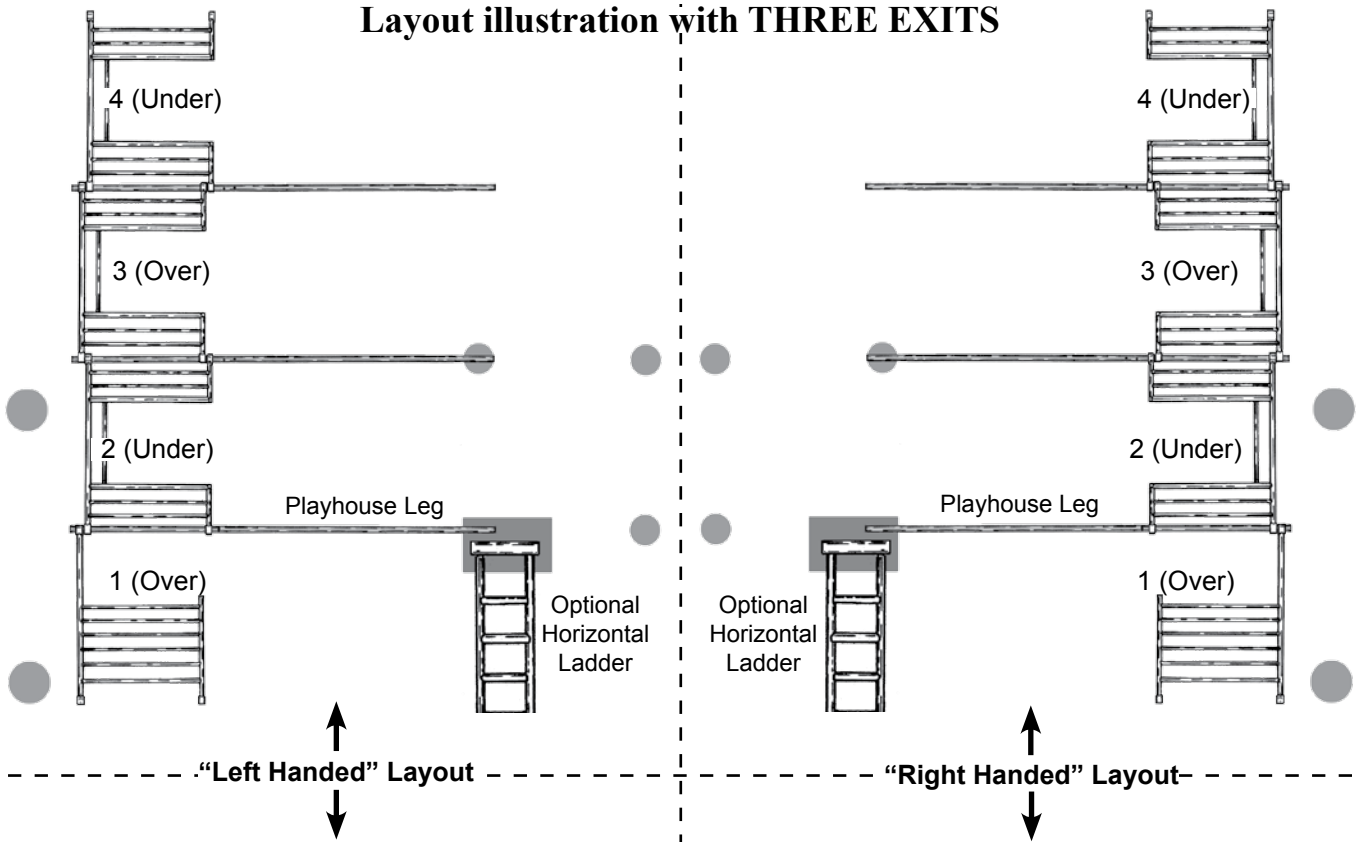
Layout illustration with ONE EXIT



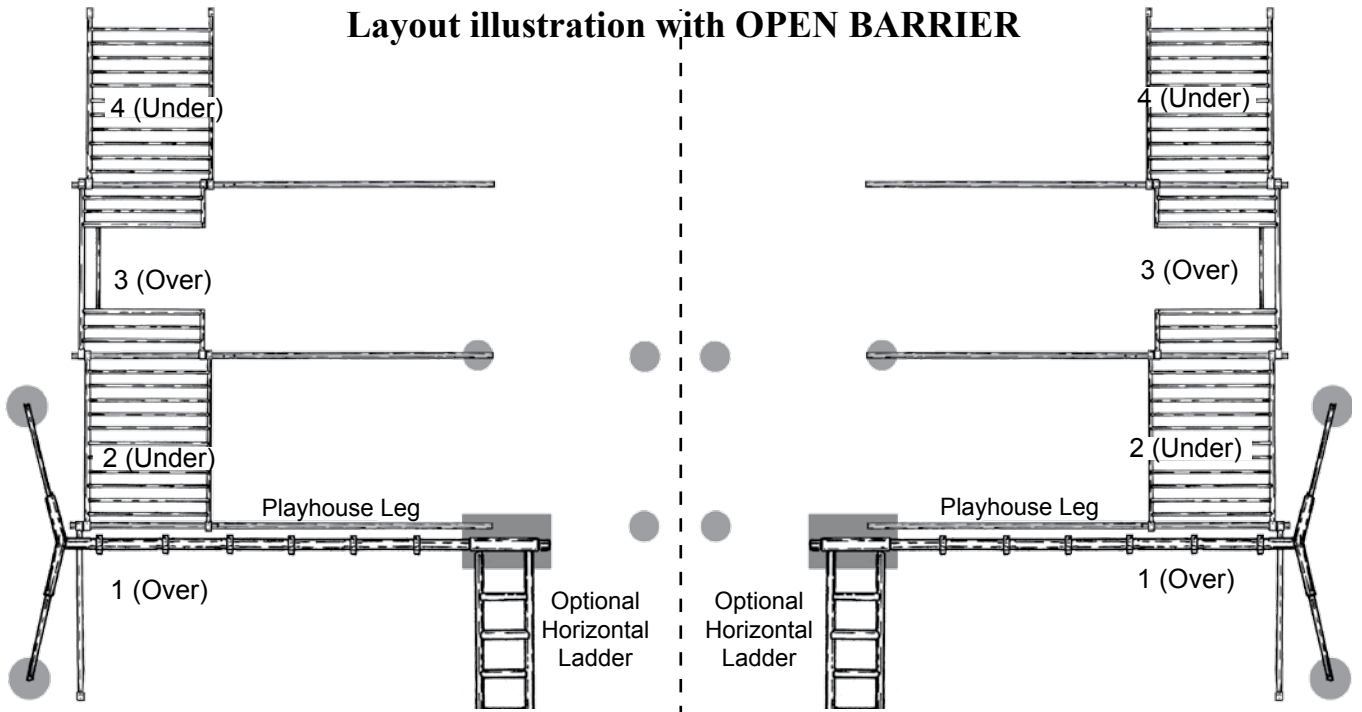
This lay out may need to be adjusted depending on your individual application.



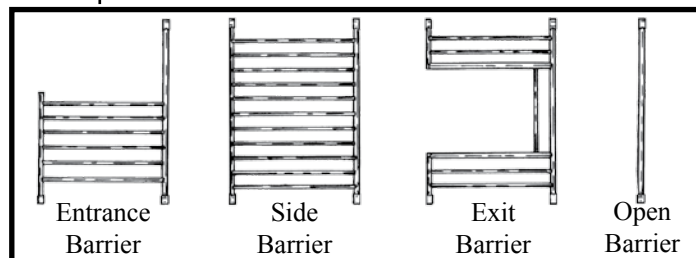
Layout illustration with THREE EXITS



Layout illustration with OPEN BARRIER

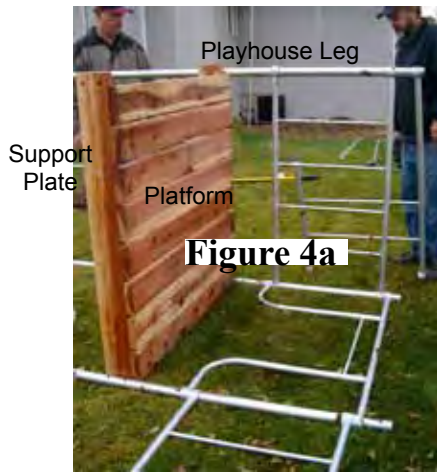


This lay out may need to be adjusted depending on your individual application.



f. Slide three playhouse legs into the sleeves as shown in the layout illustration. The mark previously made at 4 1/2" on each post should be positioned in between the two sleeves at the top of the barriers.

g. Stand the platform into the third position (each barrier has a numbered position in each layout illustration). Line up the holes in the legs with the holes previously drilled into the platform support plates. (The platform support plates should be vertical.) Attach the platform to the legs. In each leg use the following: 2- 5/16" x 3 1/2" hex bolts, 2- 5/16" flat washers and 2- "T" nuts.



h. Begin folding up the barriers around the platform to create the four sides of the playhouse as shown in figure 3a and 3b. Continue to fold up the barriers and attach each leg to the platform as previously done. Tighten the set screws as you go.

i. Carefully roll the playhouse structure to gain access to and tighten all set screws. Figure 3c.



j. Once the playhouse is completely assembled and laying on its side, carefully roll the playhouse until the entrance barrier will line up with the vertical ladder component of the swing set structure. The two legs that are on the ground should be laying just over the ladder hole and the adjacent leg hole as shown in figure 4d.

k. Stand the playhouse into the holes previously dug. Figure 4e and 4f.

l. As the playhouse is stood up, be careful not to strike the top rail or the vertical ladder.



Figure 4d

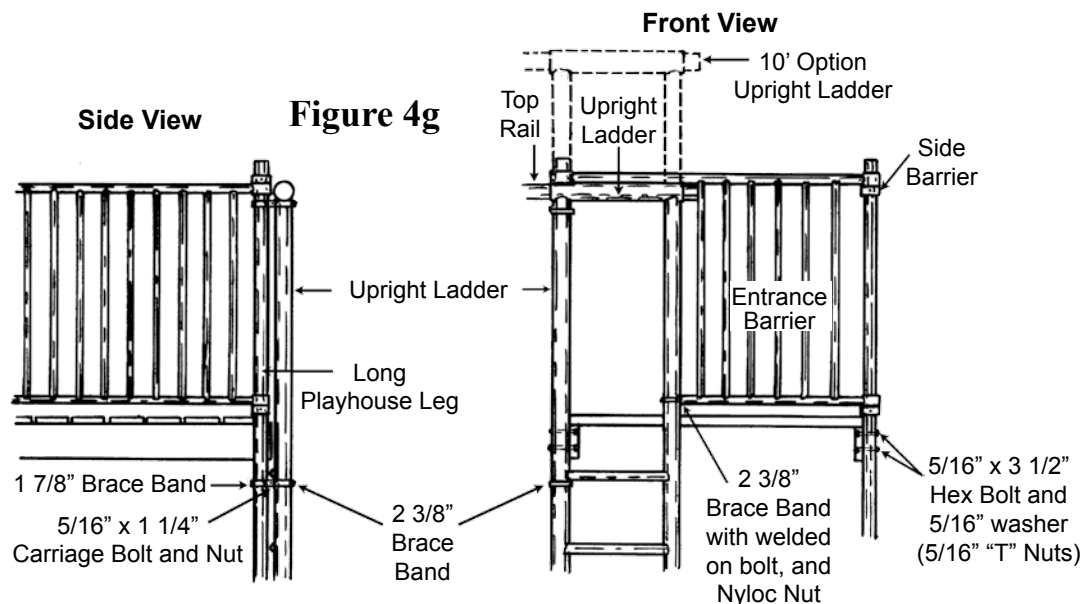


Figure 4e



Figure 4f

m. Align the playhouse entrance barrier with the vertical ladder. Level the platform and attach the playhouse to the vertical ladder as shown in figure 4g. Place one set of brace bands below the deck as shown in 4g and one set about 12" above the ground.

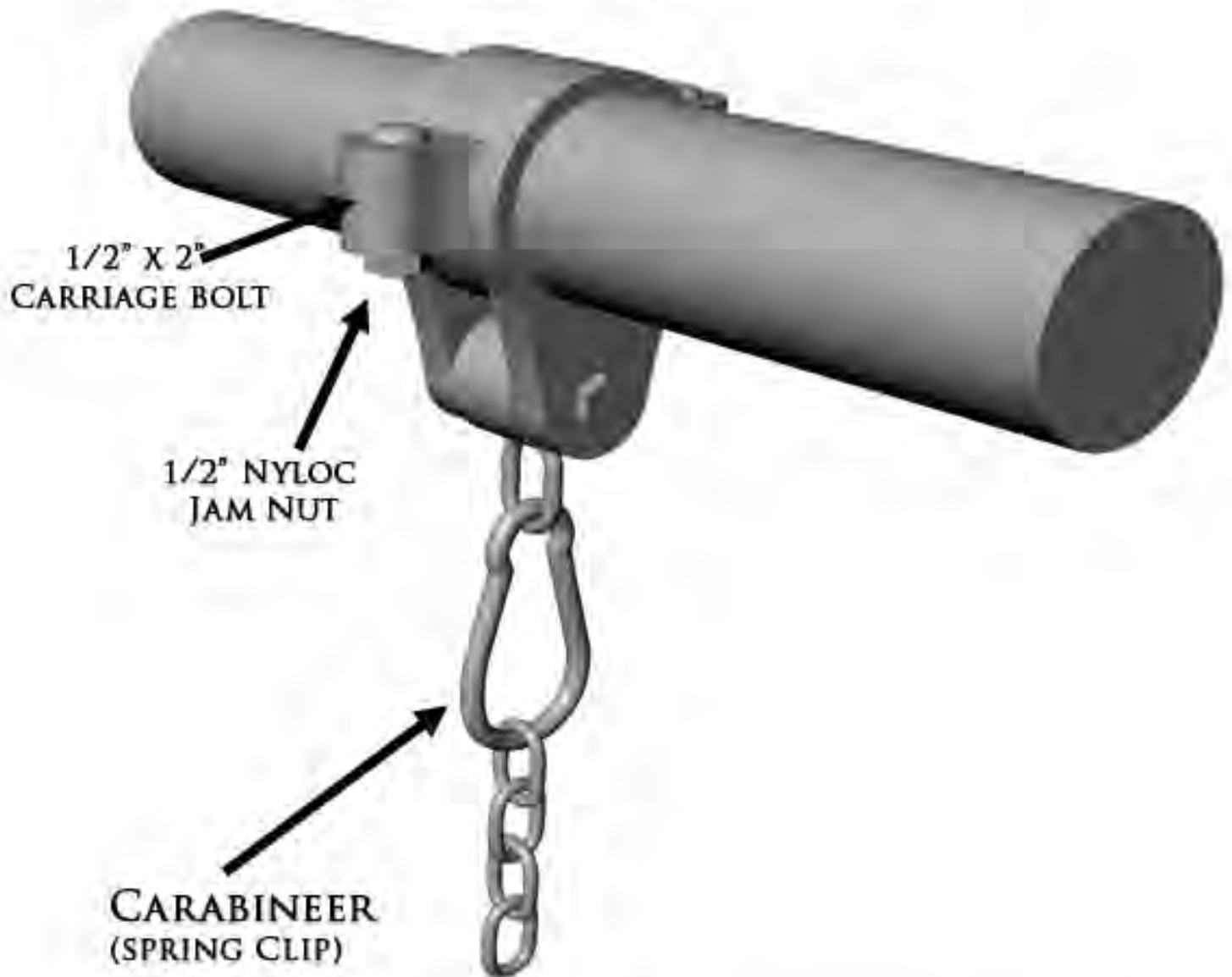


5. The finish

a. Refer back to the written installation instruction sheet for your playhouse model. Continue where you left off, finishing the installation of your playhouse model.

BRASS BUSHING SWING HANGER

(MADE OF DUCTILE IRON TO FIT 2 1/8" O.D. TOPRAIL)



1. Loosen and remove the top two nyloc jam nuts.
2. Reassemble on to swing toprail. The carriage bolt can be positioned as it is pictured or flipped around so the carriage bolt is on the bottom.
Tighten securely so that the hanger is firmly attached in place and cannot slide or swivel along toprail.
3. Attach Carabineer with chain through the ring.

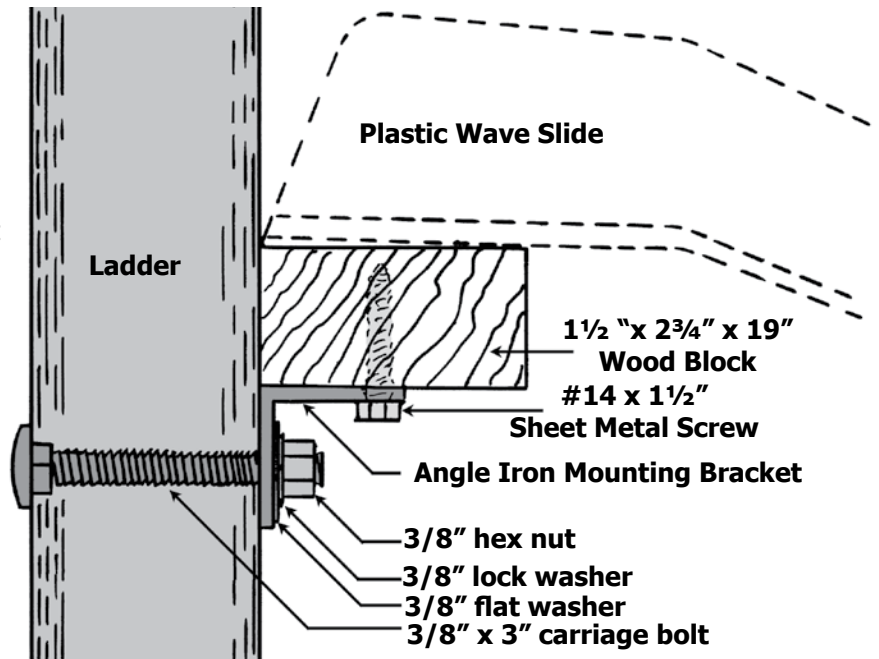
Plastic Wave Slide Mounting Instructions

Ladder Mount

Step 1: Attach angle iron mounting bracket to ladder using 3/8" x 3" carriage bolt, 3/8" flat washer, 3/8" lock washer and 3/8" nut.

Step 2: Center and attach wood block with two #14 x 1 1/2" Sheet Metal Screws.

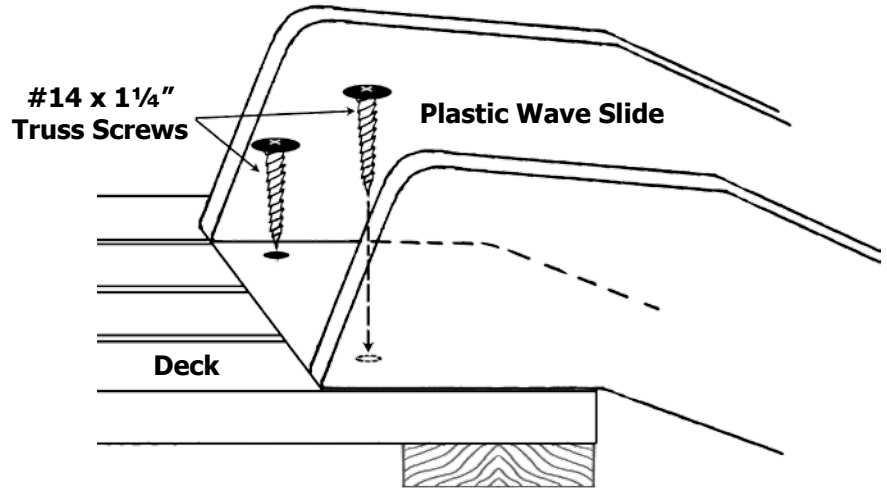
Step 3: Place slide on wood block and attach with two #14 x 1 1/4" Truss Screws.



Deck Mount

Step 1: Position slide on deck in desired location

Step 2: Attach slide to deck with two #14 x 1 1/4" Truss Screws.



Installation Instructions from the Slide Manufacturer

To mount the slide, choose a location that is flat and level. Use (2) #8 sheetrock screws or #10 flathead wood screws. Install the screws into the countersunk drill points at the top of the slide. DO NOT OVER TORQUE!

This mounting configuration will allow your slide to receive a lot of abuse. If the slide is hit from the side by a lawn mower or similar device, either the sheetrock screw will break or the screw head will pull through the slide. In such event, the next size screw should be installed. This installation has proven to be very effective.

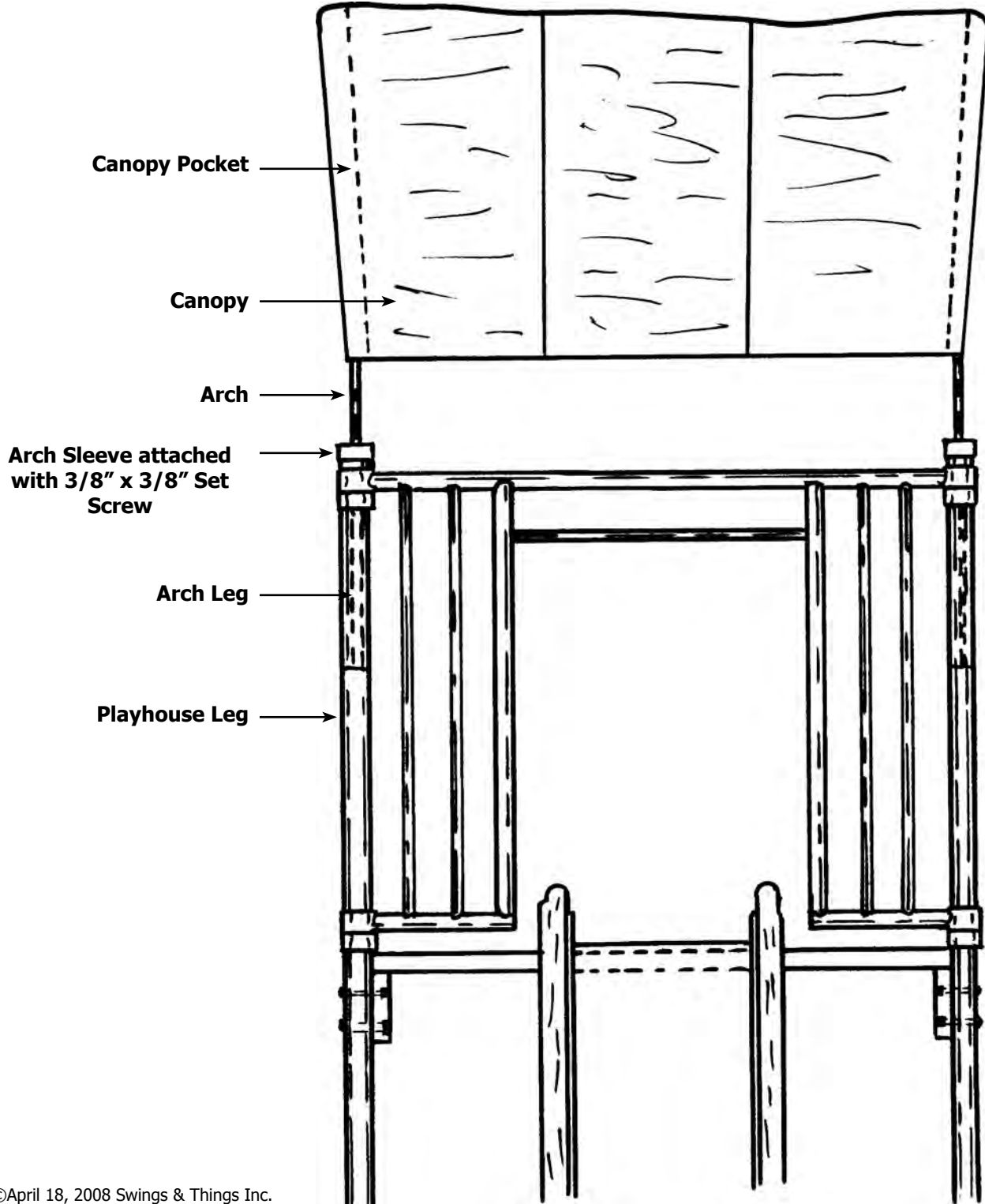
The slide can also be elevated at the bottom or foot area. Use (2) 2 x 4's or (2) 2 x 6's cut to the length desired for the elevation needed. We recommend using wood screws or sheetrock screws to attach the risers to the slide.

Playhouse Canopy

STEP 1: Slide Arches into Canopy Pockets. Top of Arches should curve away from each other.

STEP 2: Slide all four Arch Legs into Playhouse Legs at the same time. Tighten Set Screws.

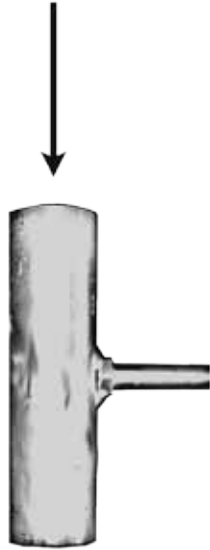
Canopy may be positioned either direction over the 4'x4' deck.



INSTALLATION INSTRUCTIONS

Steering Wheel

Bracket with welded
bolt. Push two 1-3/8"
Plugs in the ends



7/16"
Washer



Steering Wheel



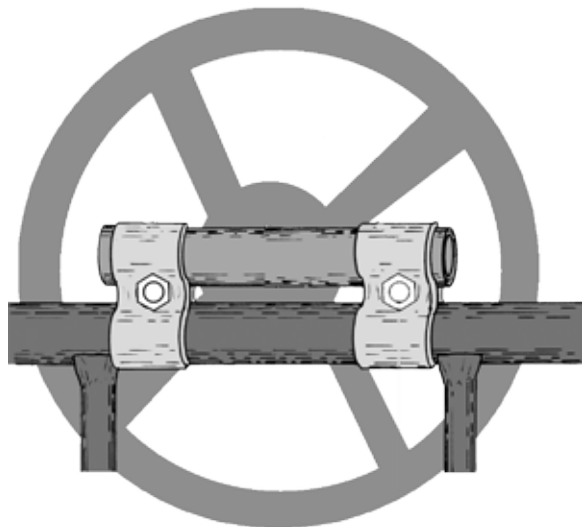
Plastic
Pivot



3/8"
Nyloc
Nut



Pivot
Plug

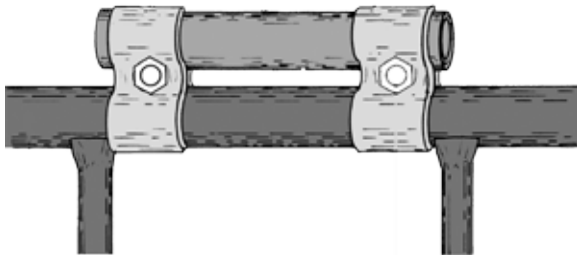
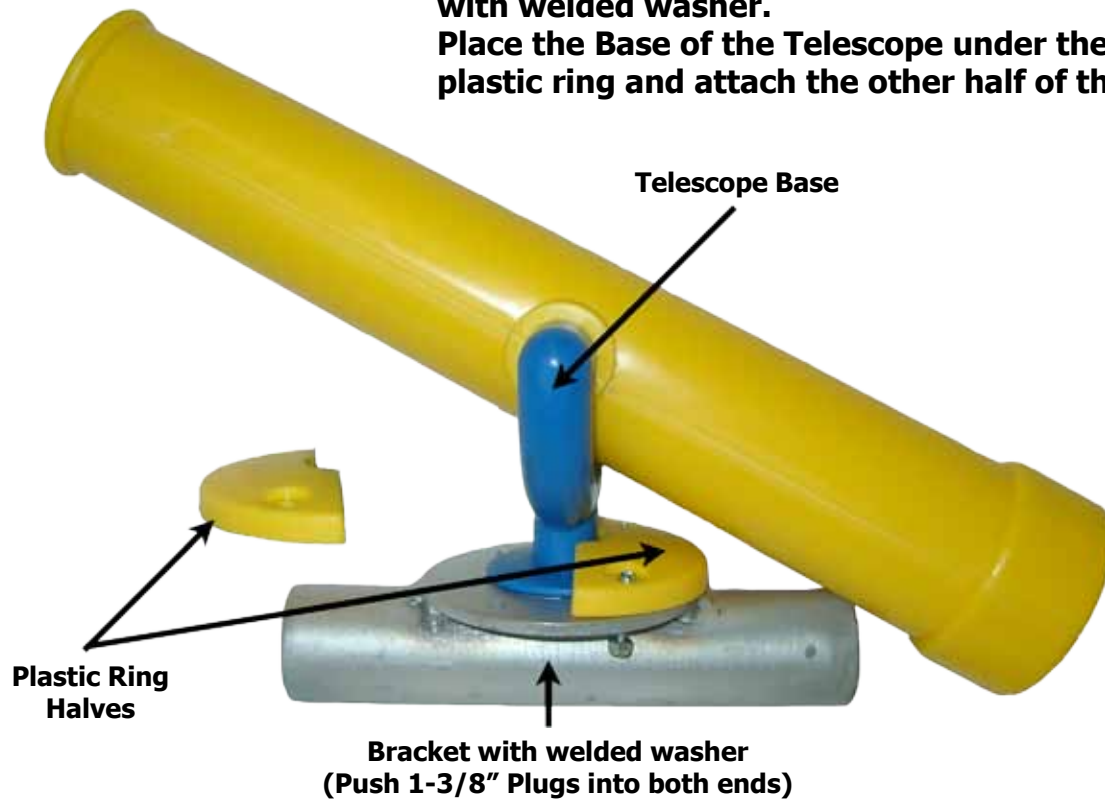


Assemble Steering Wheel as
shown above.
Then attach Bracket to the
Barrier with panel clamps
and 3/8" x 2" Carriage Bolts
and Hex Nuts.

INSTALLATION INSTRUCTIONS

Telescope

Use 4-40 x 3/4" Machine Screws and 4-40 Nyloc Nuts to attach one side of the plastic ring to the Bracket with welded washer.
Place the Base of the Telescope under the lip of the plastic ring and attach the other half of the plastic ring.



Assemble Telescope as shown above.
Then attach the Bracket to the Barrier with Panel Clamps, 3/8" x 2" Carriage Bolts and Hex Nuts.