
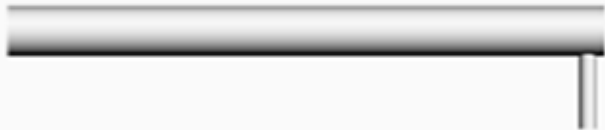


Parts Identification

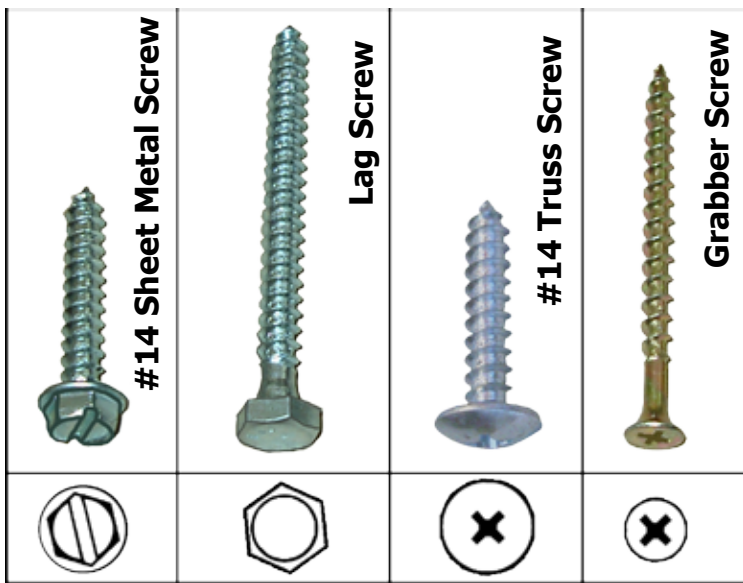
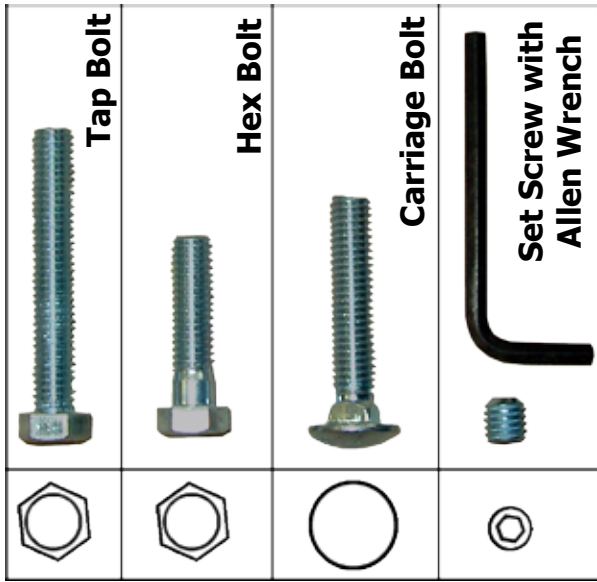
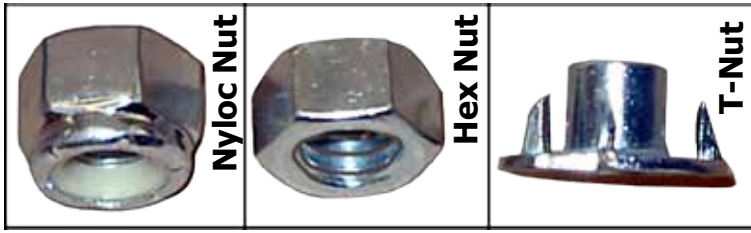
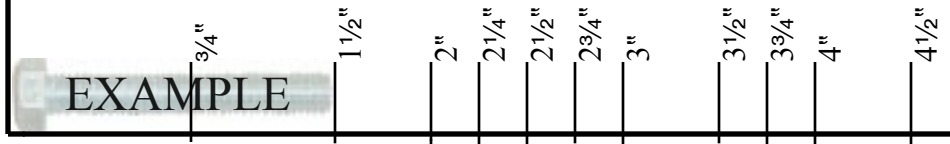
PS20-10 Swing Set

Quantity	Description
1	Box Containing Swing Set Parts
1	2 ³ / ₈ " × 9' Toprail 
2	4" × 13' Vertical Post with Socket 

Swing Set Parts Identification Page

The Small Parts

Bolt Length



Not every model will have every component or swing part. Pictures are not to scale. The purpose of this sheet is to give you a general idea of the shape and names of the parts of your swing set.

Installation Instructions

PS20-10

Required Tools

Wheelbarrow

Shovel

Digging Bar or Pick

Allen Wrench (provided)

Marker Pen

Ladder

Tape Measure

Level

Open end or box wrench's:

5/8", 3/4"

Ratchet Handle & Sockets:

5/8", 3/4"

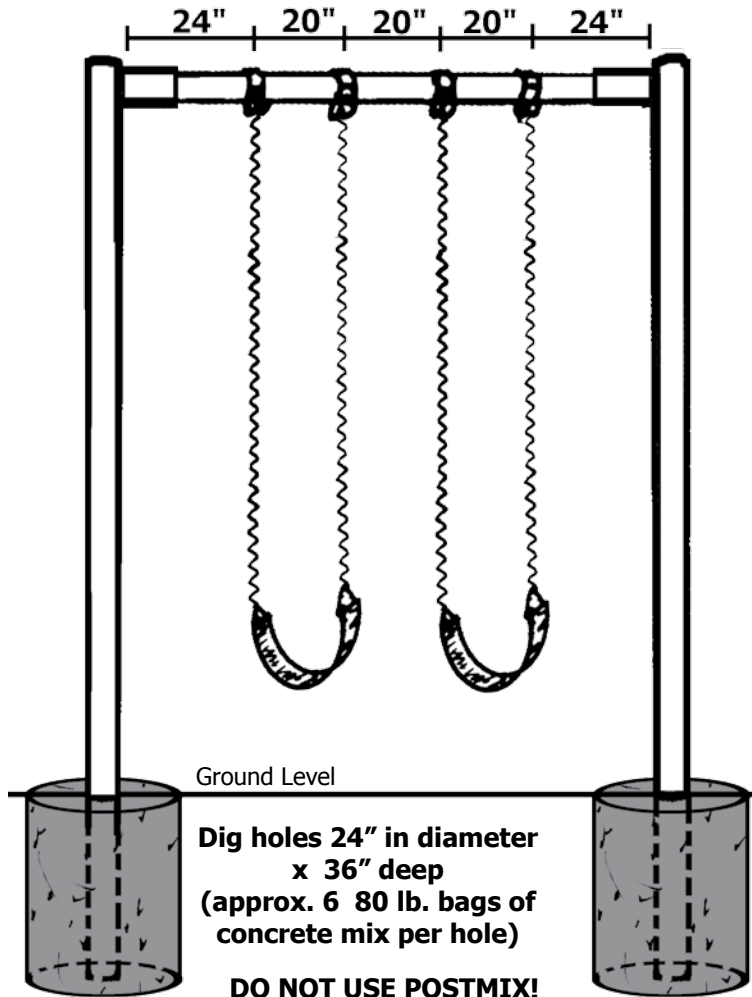
PLEASE READ AND UNDERSTAND ALL INSTRUCTIONS BEFORE BEGINNING

Before digging, Please obey local laws by notifying your local utilities marking organization

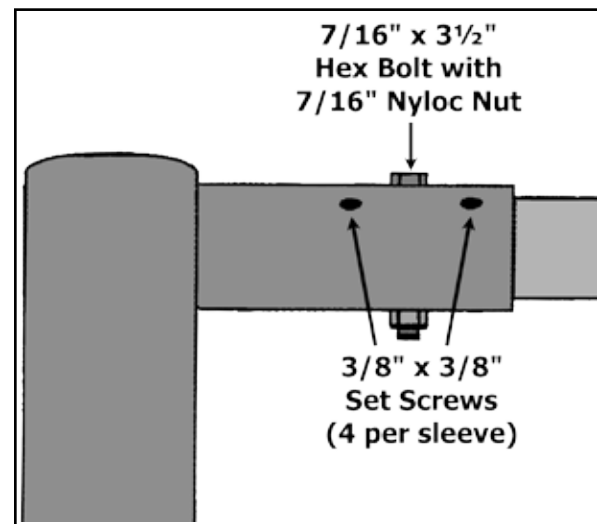
1. Select an area in your yard that is reasonably level and meets the space requirements for your equipment. PS20-10 Ground Space: 10' x 1'. Play Space: 14' x 24'.
2. Place the top rail section on the ground in desired location, and using a tape measure and marker, mark the locations of the swing items onto the top rail. Set aside.
3. Dig the holes as instructed on the instruction sheet.
4. Lay the two vertical posts on the ground next to the holes where they will eventually stand. The bottom of the pipe should be just over the open hole.
5. Slide the top rail into the top sleeves of the vertical posts and bolt into place.
6. Loosely install set screws but do not tighten at this point.
7. Using two strong adults, stand the assembled structure into the holes previously dug. One person will need to hold the structure constantly until there are two or three bags of concrete poured into each hole.
8. Place the pipe into the center of the hole and be certain that there is ample space to level the pipe in the hole. Measure the height of the top rail to insure proper swing height.
9. Level the equipment.
10. Mix the concrete according to the package directions and pour into the holes. When pouring, work back and forth between the two holes adding one bag at a time into each hole. Check and adjust the equipment to be level after each bag of concrete is poured into the hole. You will use approximately seven 80 pound bags in each hole.
11. Secure the set screws in the top sleeves.
12. Allow the concrete to completely cure before using your swing set (3 to 5 days) Assemble and attach swing hangers, chains & seats and enjoy your Component Playground.

INSTALLATION INSTRUCTIONS

Model PS20-10



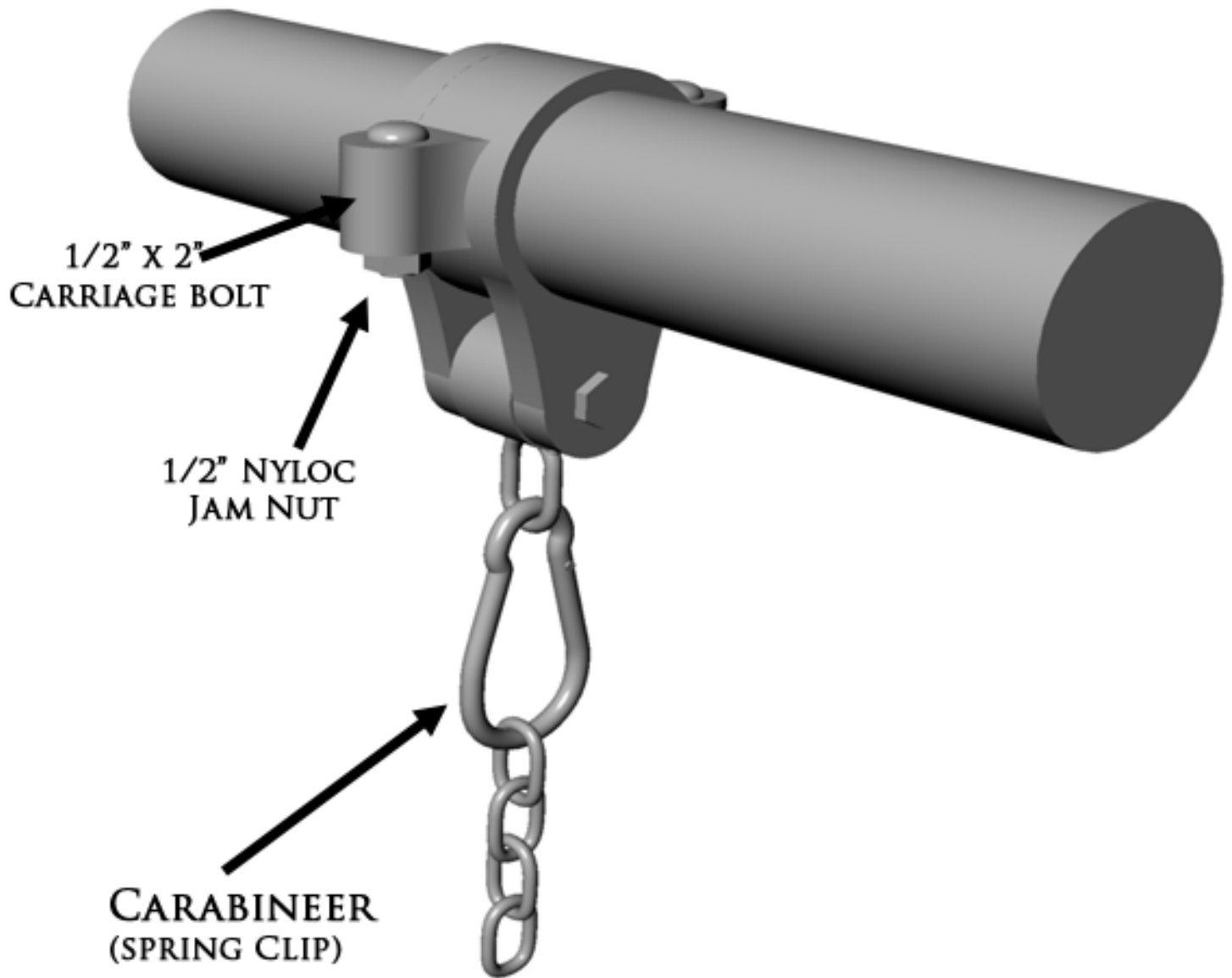
**GROUND SPACE
10' X 1'
RESIDENTIAL PLAY SPACE
14' X 24'**



Upright Post Sleeve to Top Rail Assembly

BRASS BUSHING SWING HANGER

(MADE OF DUCTILE IRON TO FIT 2 3/8 O.D. TOPRAIL)



1. Loosen and remove the top two nyloc jam nuts.
2. Reassemble on to swing top rail with the carriage bolt on top and the nyloc nut on the bottom. Tighten securely so that the hanger is firmly attached in place and cannot slide or swivel along top rail.
3. Attach Carabineer with chain through the ring.