

**PREMIUM
Upgrade**

Royal[®] Inspiration Station - Assembly Guide

If parts are missing or you require assistance, please call:

1-800-267-8494 or email info@copernicused.com

Have your packing slip ready for reference



Premium Model IS3-2008-B

This assembly guide provides instructions to build the Premium Model of the Inspiration Station. You must have previously built the Base and Standard Models of the Inspiration Station.

WARNING This Product is meant to be assembled by an Adult. In its unassembled state, small parts present a hazard. Not intended for use by children.

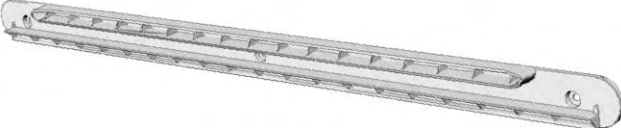






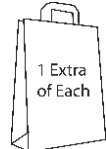




Please Recycle



Royal[®] Inspiration Station - Parts

Before beginning, you should have:

Contents - Box 1		Hardware <i>Actual Size</i>	
Tub Channel 6x		M6 x 20mm Bolt Bag of 18	
Divided Tub 1x		M6 Barrel Nut Bag of 18	
Open Tub 5x		8mm Lock Washer Bag of 18	
Tiny Tub 6x		Bag of Extra Hardware 1x	
Rear Whiteboard 1x		Allen Key 2x	

★ **Additional tools required: Adjustable wrench**



Tips for Assembly - Using this Manual

Watch for These Helpful Symbols

This symbol denotes a 2 Person Task. For safety, please ensure that there are two people working on steps displaying this symbol



2 Person

Watch for this symbol throughout the Assembly Instructions. Wherever you see it, pay close attention. The symbol denotes a step needing extra attention to ensure it is done correctly



The Star symbol highlights an advisory note



Before You Begin

- Layout and identify all of the included parts
- The hardware has been packed according to size, separate them based on those sizes
- Read the assembly instructions over once to familiarize yourself with them
- Please note that in its unassembled state, this product contains parts that can be a hazard to small children; it should be assembled by an adult.



As You Assemble the Unit

- Follow the steps in sequence
- Before beginning each step, find the part(s) that you need for that step
- Pay attention to the labeling on the parts, they are there to help direct you at certain stages
- The title of each step states what you will be doing. Review the text and the pictures as you build the unit.



After Assembly; Before Use

- Remove the plastic film from the Whiteboard before writing on it
- Clean the Whiteboard surface well with soapy water and then rinse clean; or clean the board well with Soy Safe (Copernicus Product #AC405)
- We recommend expo brand markers for all our whiteboards. Be sure to replace your markers when needed.

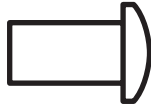


1

Actual Size:



20mm
x 18

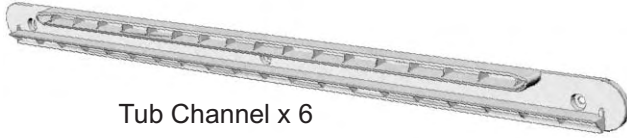


Barrel Nut
x 18



8mm
x 18

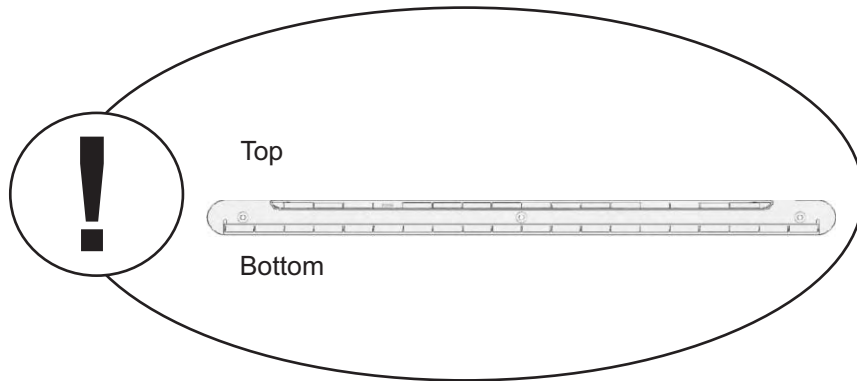
You will need: (Not to Scale)



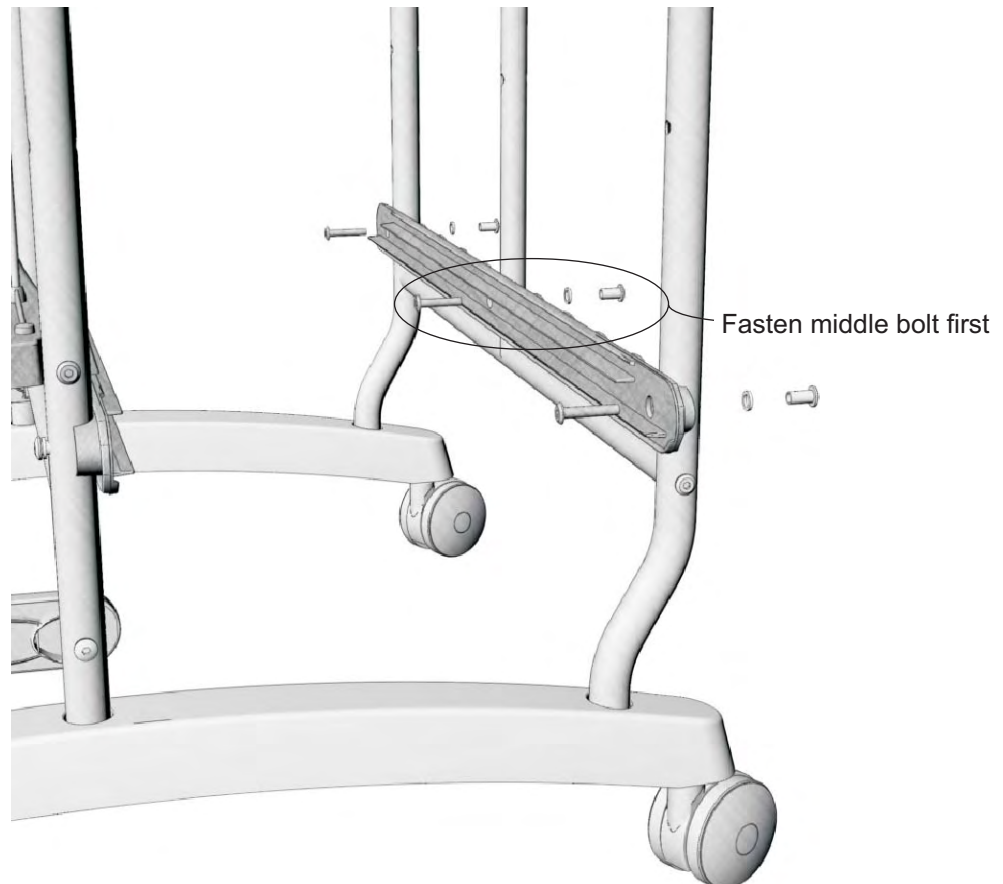
Tub Channel x 6

Install Tub Channels

! Identify the top and bottom of the Tub Channels



- Align the Tub Channels with the matching holes on the Rear and Middle Frame.
 - Fasten middle bolt first, this will make the other two bolts easier to install
 - Fasten with M6 20mm bolts, 8mm lock washers & barrel nuts
 - Tighten fasteners



You will need: (Not to Scale)



Divided Tub x 1



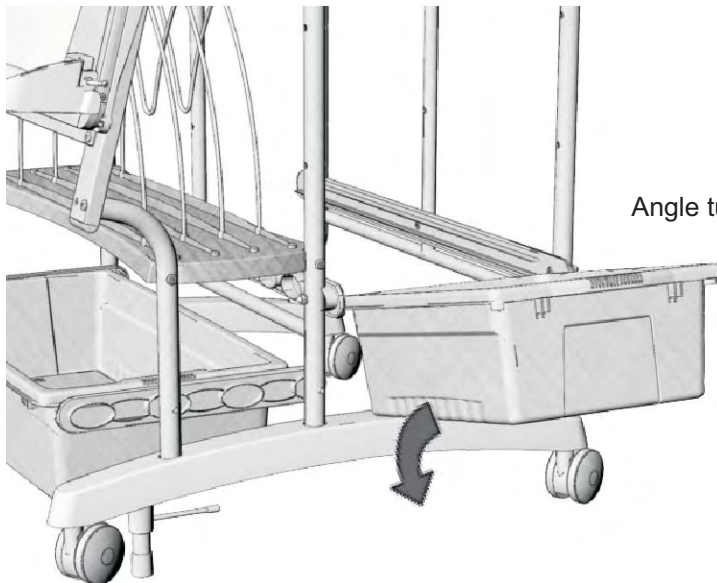
Open Tub x 5



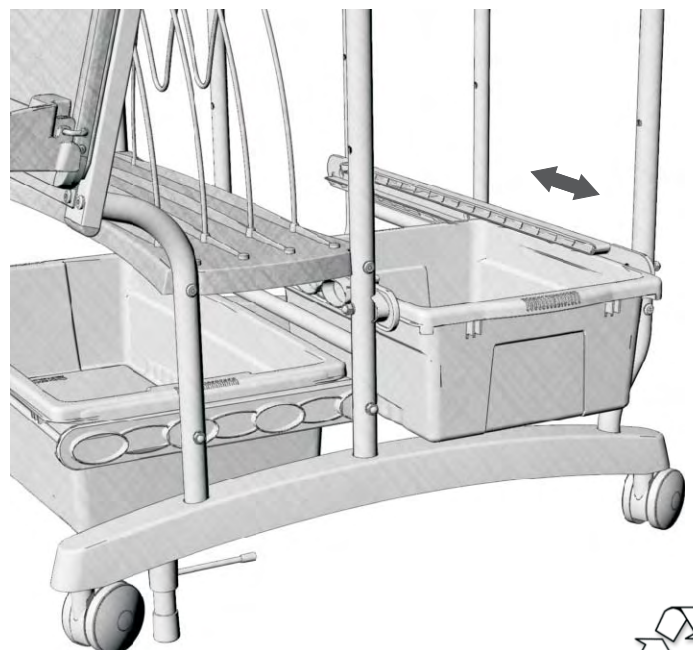
Tiny Tub x 6

Place Tubs onto Unit

- Angle the Tubs slightly when inserting into channel; rotate to fit over stop rib, then slide into place
- In position, the Tubs will slide smoothly in the Channels and be stopped from sliding out unintentionally.
- The six Tiny Tubs fit into one Open Tub.



Angle tub into the Channel



Tubs slide in the Channels



3

You will need: (Not to Scale)

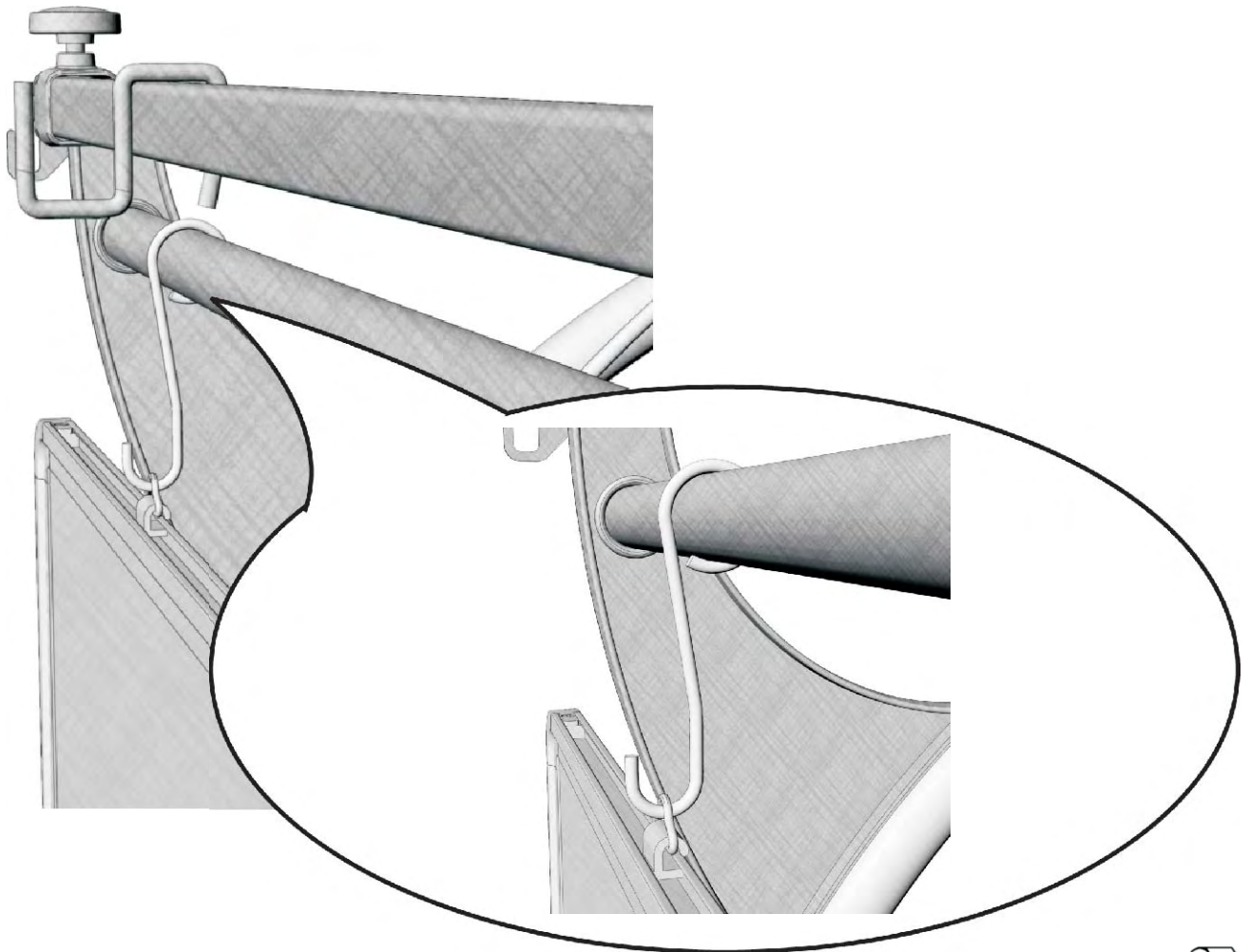


Rear Whiteboard x 1

Hang Rear Whiteboard

! Board may be hung vertically or horizontally

- Secure the hanging board to the Round Accessory Rod using the hooks as shown below.



4



Validate Your Warranty On-Line



To validate your ten year frame warranty & lifetime tub warranty, submit the ON-LINE form at www.copernicused.com

Username: *quality*
Password: *safety#1*

**For Whiteboard Tips and Tricks,
refer to the card on the back of the whiteboard!!**

Use **Soy Safe** to help keep your Whiteboard
Surface looking new!
Copernicus Product #AC405



“My idea of education is to unsettle the minds of the young and inflame their intellects.” - Robert Maynard Hutchins

