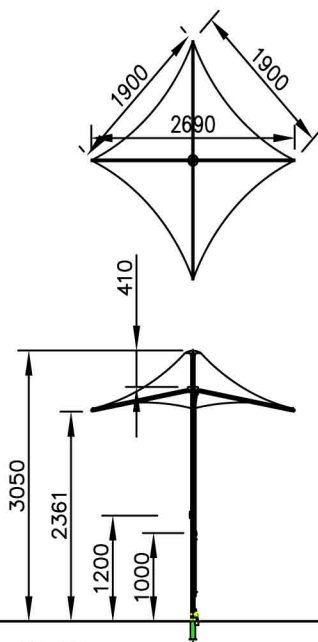


SUNSET 1.9M SQUARE PORTABLE UMBRELLA - S19SP

METRIC



CODE: S19P
SUNSET 1.9 M SQUARE PORTABLE

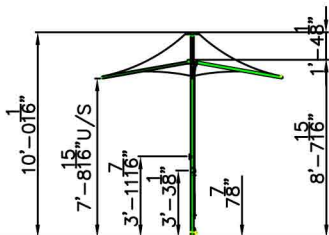
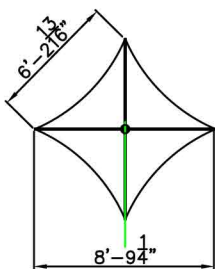
Specifications:

- All metal work is Structural Aluminium or 316 Stainless steel and powder coated
- Rope & Pulley System
- 1 year warranty on frame and fabric
- Fabric used is GL1000
- Engineered wind ratings up to 60km/h - 37 MPH

Options:

- Inground lockable base plates
- Above ground base plates
- Screen Printing available

IMPERIAL



CODE: S19SP
SUNSET 6 FT. SQUARE PORTABLE

